

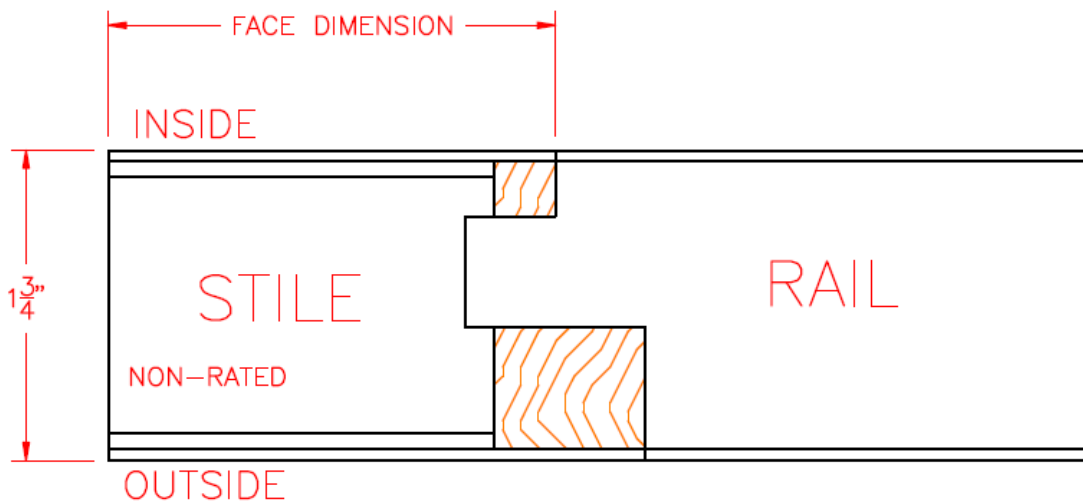
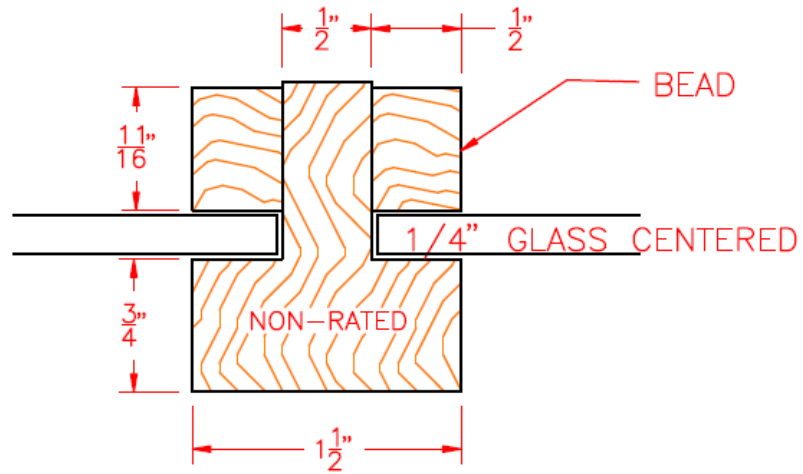
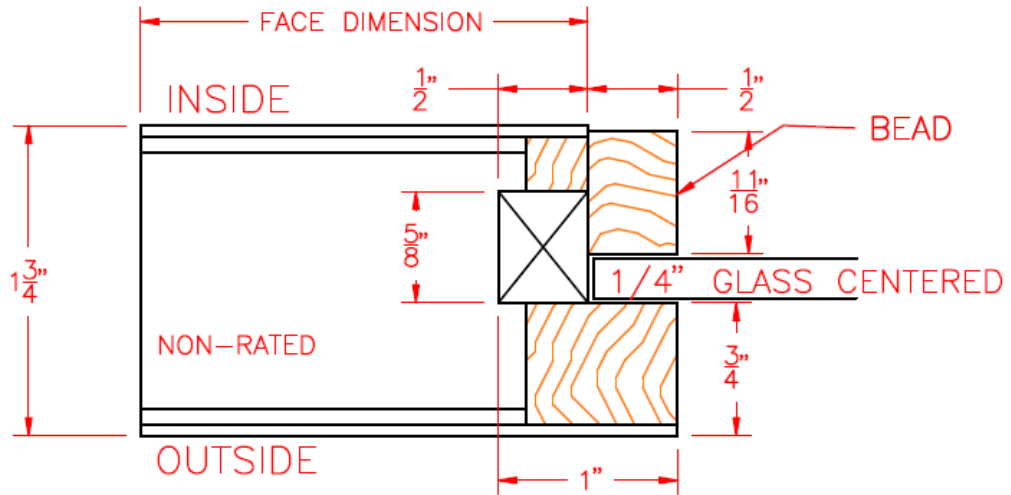
Non-Rated Full Lite with Square Profile (Tongue & Lap)

Construction Details



Eggers Industries

No. 734-07-09

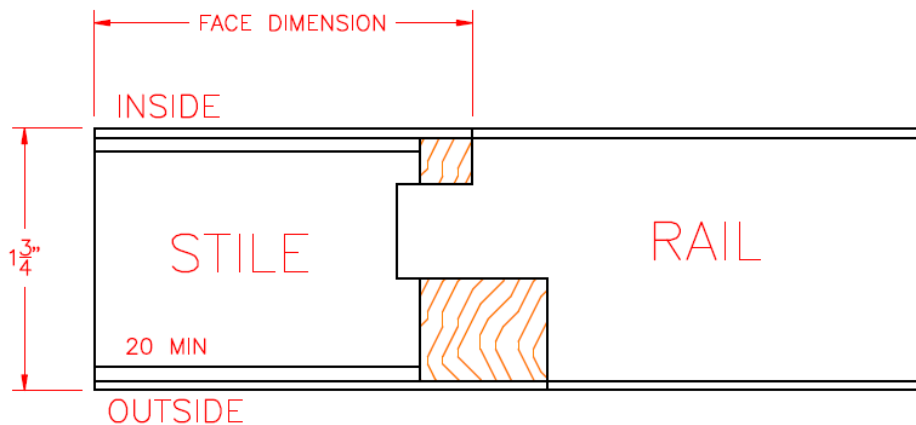
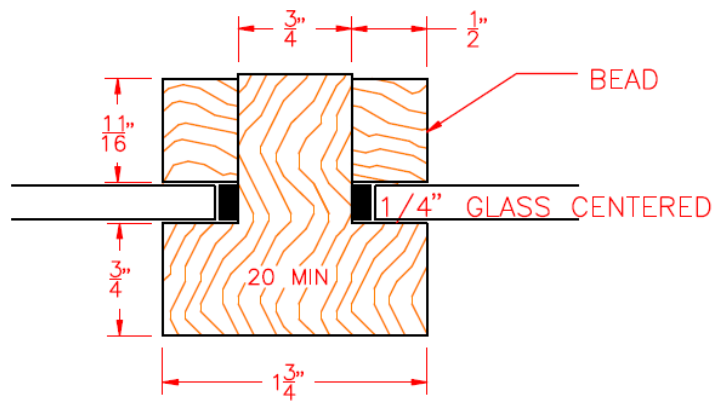
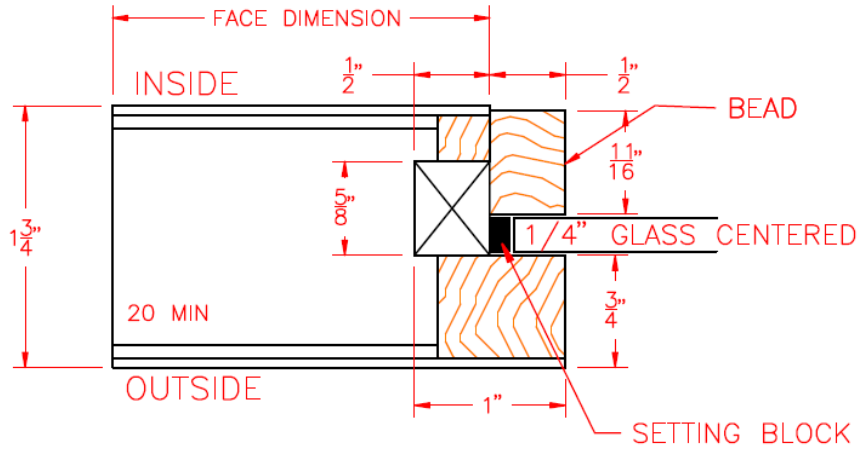


20-Minute Full Lite with Square Profile (Tongue & Lap) Construction Details



Eggers Industries

No. 734-07-09



Eggers Industries

**Stile & Rail Doors, Door Frames,
Plywood, Veneered Components**

Two Rivers Division
One Eggers Drive
Two Rivers, WI 54241
Phone: 920.793.1351
Fax: 920.793.2958

www.eggiersindustries.com

Flush Doors

Neenah Division
164 North Lake Street
Neenah, WI 54956
Phone: 920.722.6444
Fax: 920.722.0357

email: sales@eggiersindustries.com