

WHI 20-Minute Fireguard Frame & Sidelite or Borrowed Lite

Installation Instructions



Eggers Industries

No. 920-04-11

Maximum overall opening: 212" wide x 109.25" high (Frame buck opening)
Maximum door opening: Single 4'-0" x 9'-0" / Pair 8'-0" x 9'-0"
Maximum Sidelite: 4'-6" width x 9'-0" height
Maximum Borrowed lite: 7'-0" width x 8'-8" height
Wall depth: Minimum 3-3/4", 4-1/2" minimum where panels are used
Wall type (rough opening): Metal stud, wood stud or masonry. Metal stud or masonry openings must be lined with a 2" nominal wood stud minimum.

- Install frames with 2-1/2" long screws, or 10d finishing nails. Masonry walls require mechanical attachment of wood liner maximum 24" O.C.
- Shim space is maximum 1/2". A shim space greater than 1/4" must be tightly filled with fiberglass insulation.
- Shimming is required at every hinge and strike
- No single lite open greater than 1296 sq. in.
- Assemblies must be plumb and square

T-STOP: Minimum 1/2" thick x 1-1/2" wide. T-stops are installed with 16 gage staples or 4d finish nails spaced maximum 2" from each end and 12" on center.

CASING: Minimum 3/8" thick x 1-3/4" wide. Casing is installed with minimum 6d finish nails spaced 24" O.C.

LITE STOPS: Minimum 1/2" thick x 1-1/4" wide. Lite stops are installed with 4d finish nails. Glazing clips are required for hose stream applications (Canada).

GLASS: May be Firelite Plus manufactured by Technical Glass, Pyroedge-20 manufactured by Interedge Technologies, 1/4" listed wire glass, or other listed and approved glazing. Glazing must be cut to size and installed per manufacture specifications.

SILL: Minimum 4" in height and requires nominal 2" wood blocking mechanically fastened to the floor.

PANELS: Maximum panel opening is 4'-0" x 4'-6". Panels must be wood covered fire doors with minimum 20-minute rating. Secure panel in place with wood stops on both sides. Panels are to be field installed with springbolts no more than 2" from each corner and the following minimum number per edge:

Up to 18" in height	-	2 spring bolts
18" to 36" in height	-	3 spring bolts
36" to 40" in height	-	4 spring bolts
40" to 48" in height	-	5 spring bolts
48" to 54" in height	-	6 spring bolts

Approved Springbolts are Stanely #1697 or Lawrence #142

Sidelite/Sidepanel: Attach individual units to each other with 2" screws behind glass/panel stops. Must be 3/4" MDF filler between individual units and door jamb. Attach assembly to studs with minimum 10d finish nails maximum 24" O.C.

**Pemko HSS2000 intumescent and Pemko S88 smoke seals are required only for positive pressure and smoke control openings. (UL 10C, U.B.C. 7-2 1997)*

***Failure to install the frame in accordance with these installation instructions voids the label.*

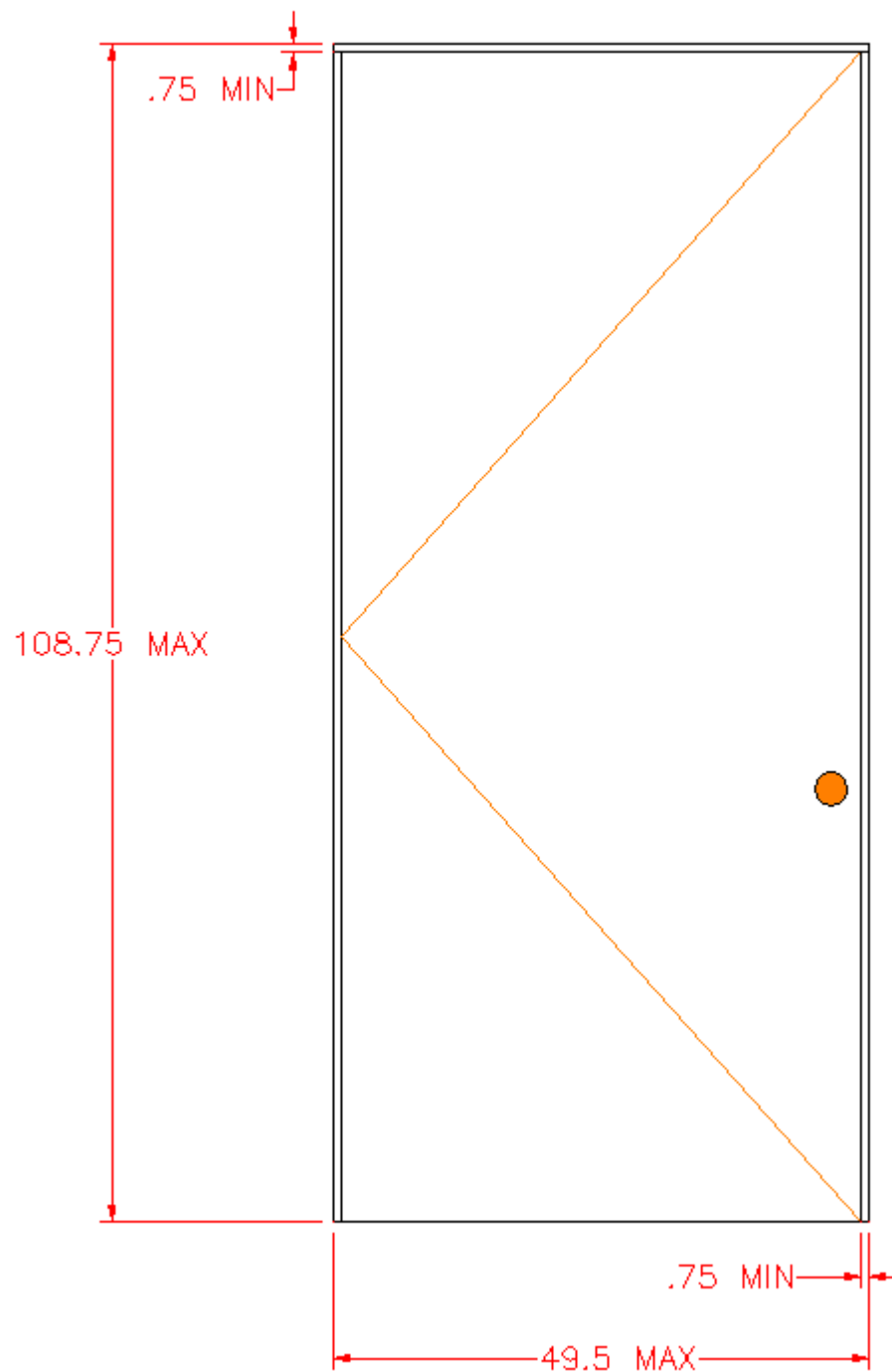
WHI 20-Minute Fireguard Frame & Sidelite or Borrowed Lite
Installation Instructions



Eggers Industries

No. 920-04-11

20-MINUTE WHI ELEVATION



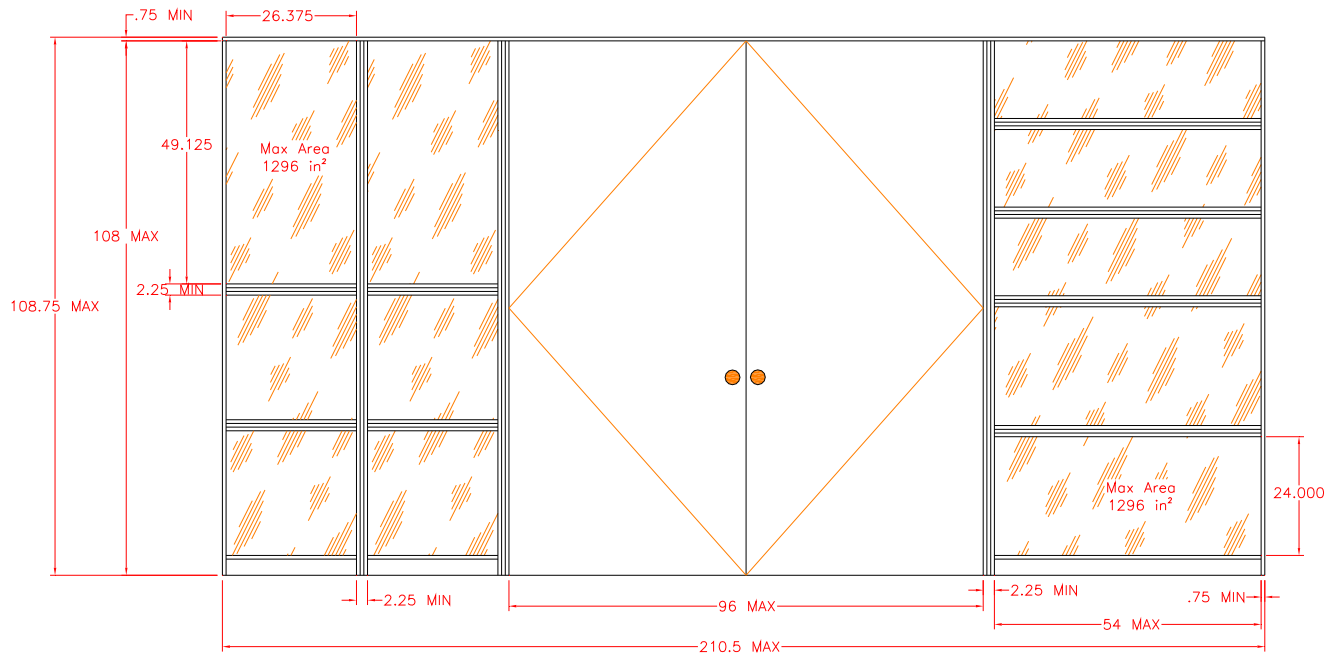
WHI 20-Minute Fireguard Frame & Sidelite or Borrowed Lite Installation Instructions



Eggers Industries

No. 920-04-11

20-MINUTE WHI ELEVATION



WHI 20-Minute Fireguard Frame & Sidelite or Borrowed Lite Installation Instructions

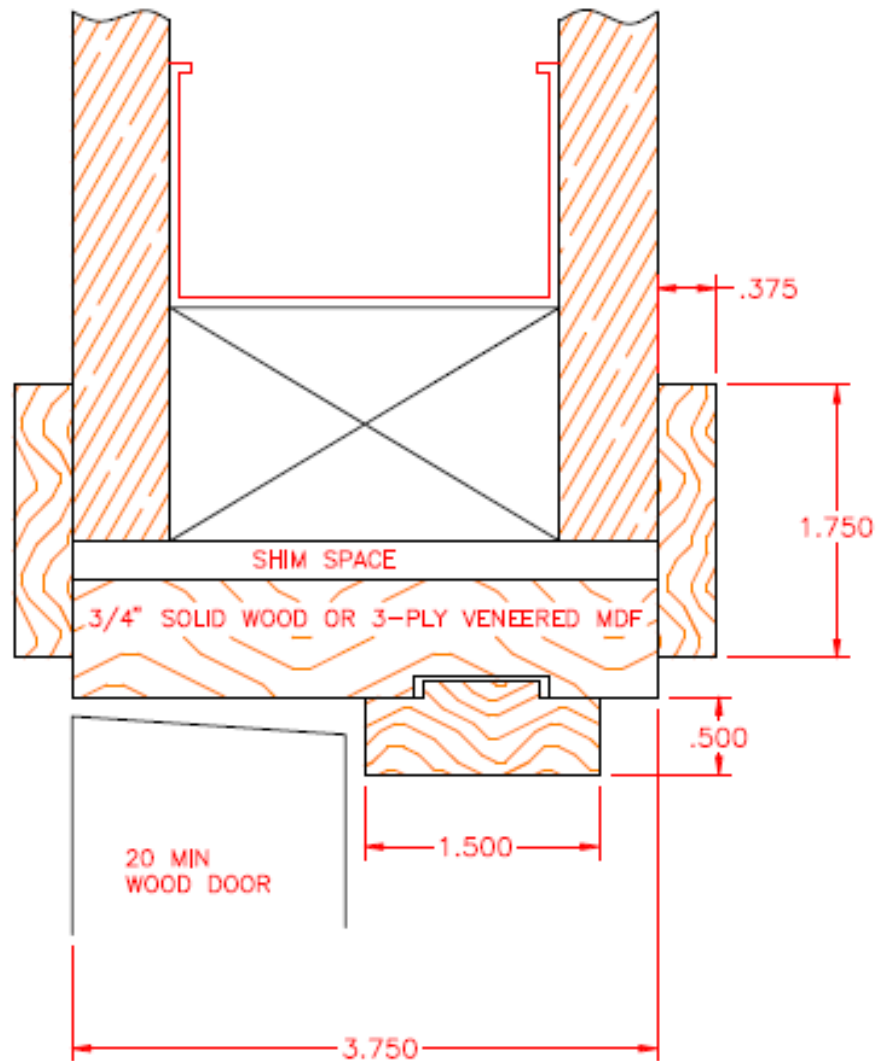


Eggers Industries

No. 920-04-11

WHI 20 MINUTE FIREGUARD HEADER/JAMB

- ALL DIMENSIONS SHOWN ARE MINIMUMS
- SINGLE OR DOUBLE RABBET FRAME OPTIONAL
- 2" NOMINAL WOOD LINER REQUIRED FOR METAL STUD OR MASONRY



WHI 20-Minute Fireguard Frame & Sidelite or Borrowed Lite Installation Instructions



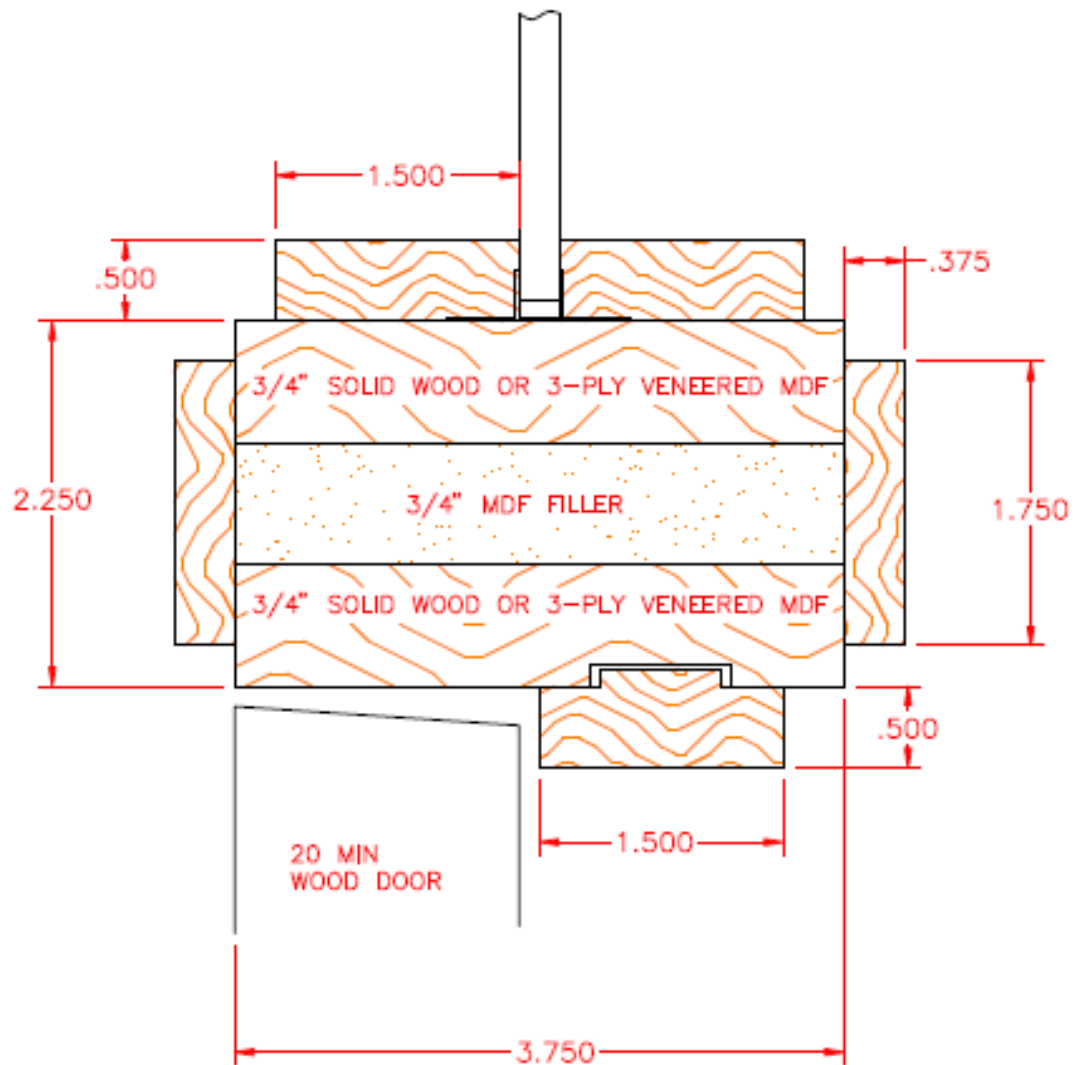
Eggers Industries

No. 920-04-11

WHI 20 MINUTE FIREGUARD TRANSOM BAR

-ALL DIMENSIONS SHOWN ARE MINIMUMS

-SINGLE OR DOUBLE RABBET DOOR FRAME OPTIONAL



WHI 20-Minute Fireguard Frame & Sidelite or Borrowed Lite Installation Instructions

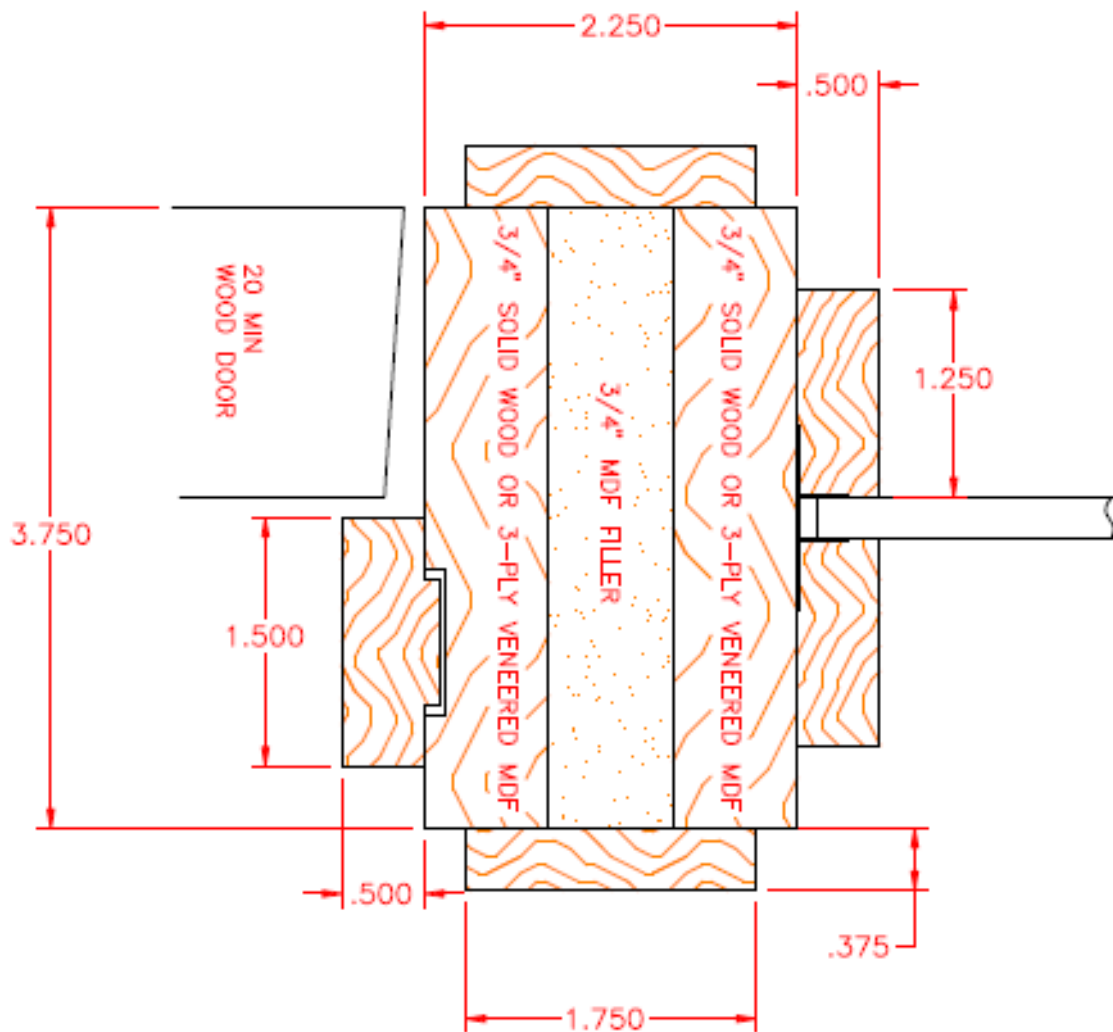


Eggers Industries

No. 920-04-11

WHI 20 MINUTE FIREGUARD COMMON MEMBER

- ALL DIMENSIONS SHOWN ARE MINIMUMS
- SINGLE OR DOUBLE RABBET DOOR FRAME OPTIONAL



WHI 20-Minute Fireguard Frame & Sidelite or Borrowed Lite
Installation Instructions

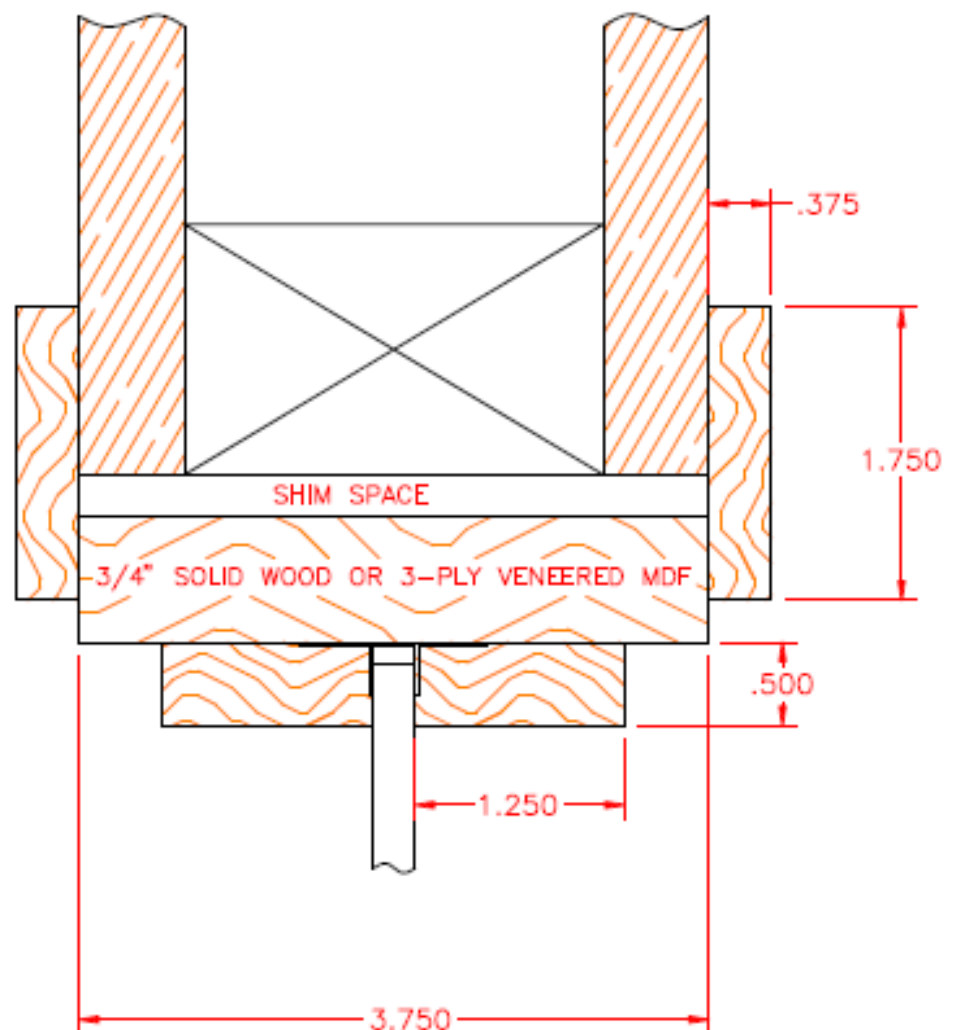


Eggers Industries

No. 920-04-11

WHI 20 MINUTE FIREGUARD SIDELITE/BORROWED LITE FRAME

- ALL DIMENSIONS SHOWN ARE MINIMUMS
- 2" NOMINAL WOOD LINER REQUIRED FOR METAL STUD OR MASONRY



WHI 20-Minute Fireguard Frame & Sidelite or Borrowed Lite
Installation Instructions

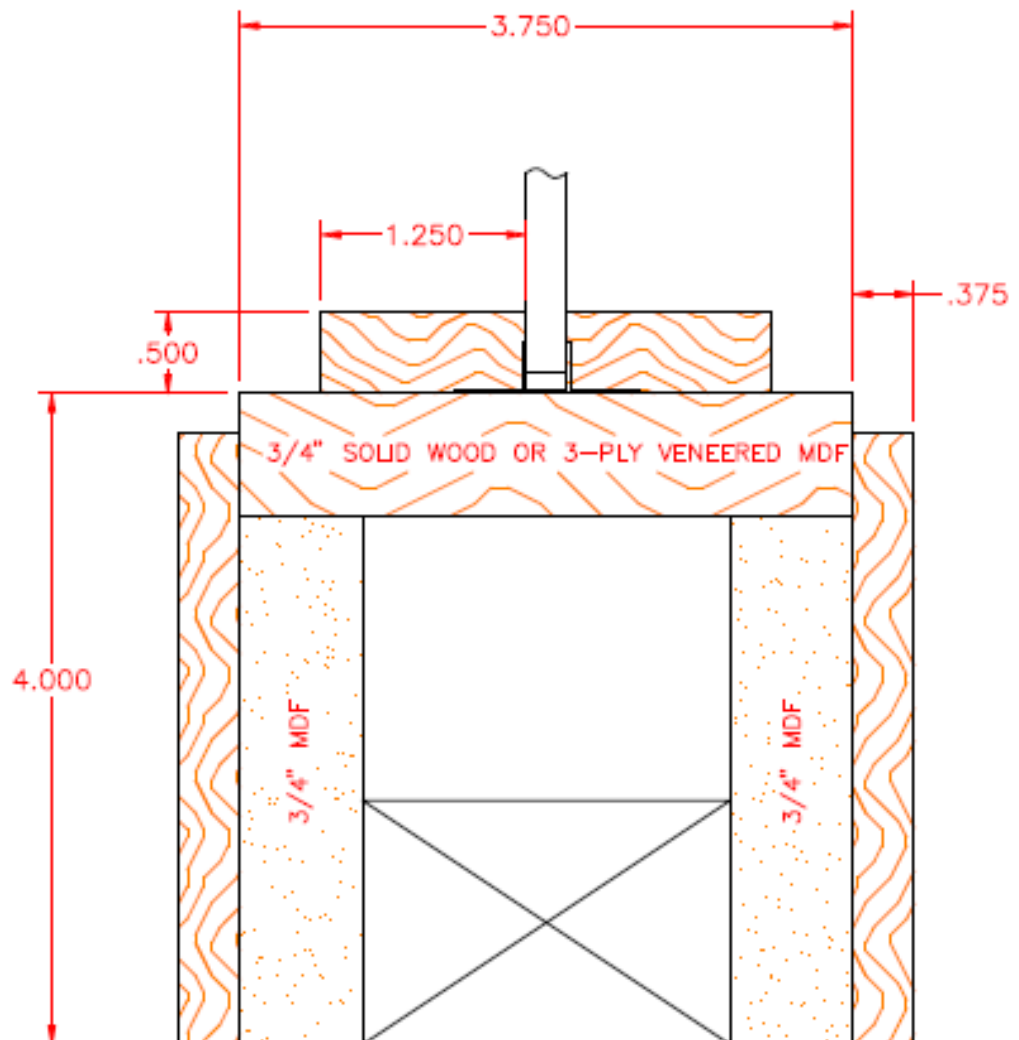


Eggers Industries

No. 920-04-11

WHI 20 MINUTE FIREGUARD SILL

- ALL DIMENSIONS SHOWN ARE MINIMUMS
- 2" NOMINAL WOOD BLOCKING REQUIRED



WHI 20-Minute Fireguard Frame & Sidelite or Borrowed Lite Installation Instructions

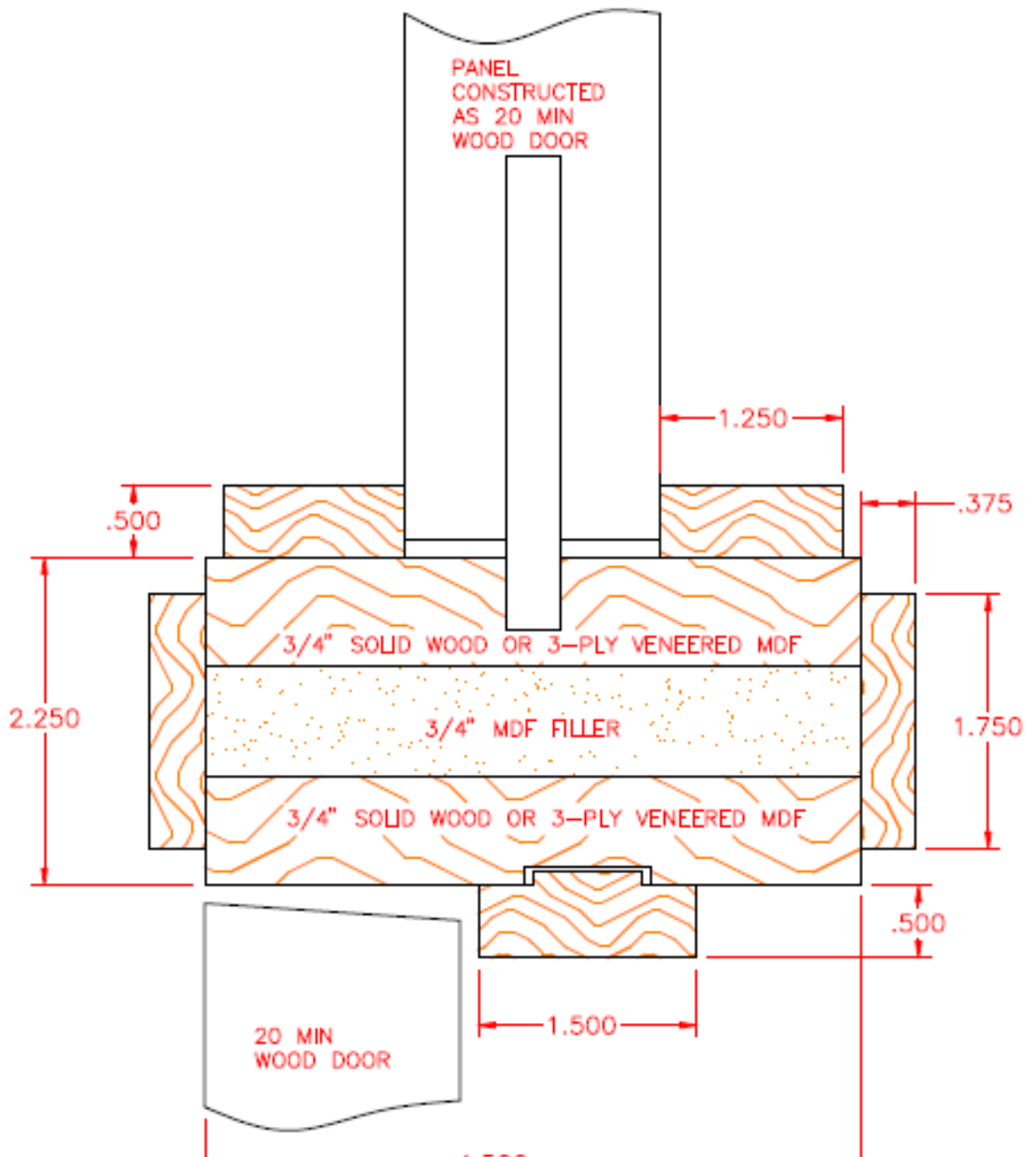


Eggers Industries

No. 920-04-11

WHI 20 MINUTE FIREGUARD TRANSOM BAR

- ALL DIMENSIONS SHOWN ARE MINIMUMS
- SINGLE OR DOUBLE RABBET DOOR FRAME OPTIONAL
- STANLEY SPRING BOLT #1697 SHOWN



WHI 20-Minute Fireguard Frame & Sidelite or Borrowed Lite Installation Instructions

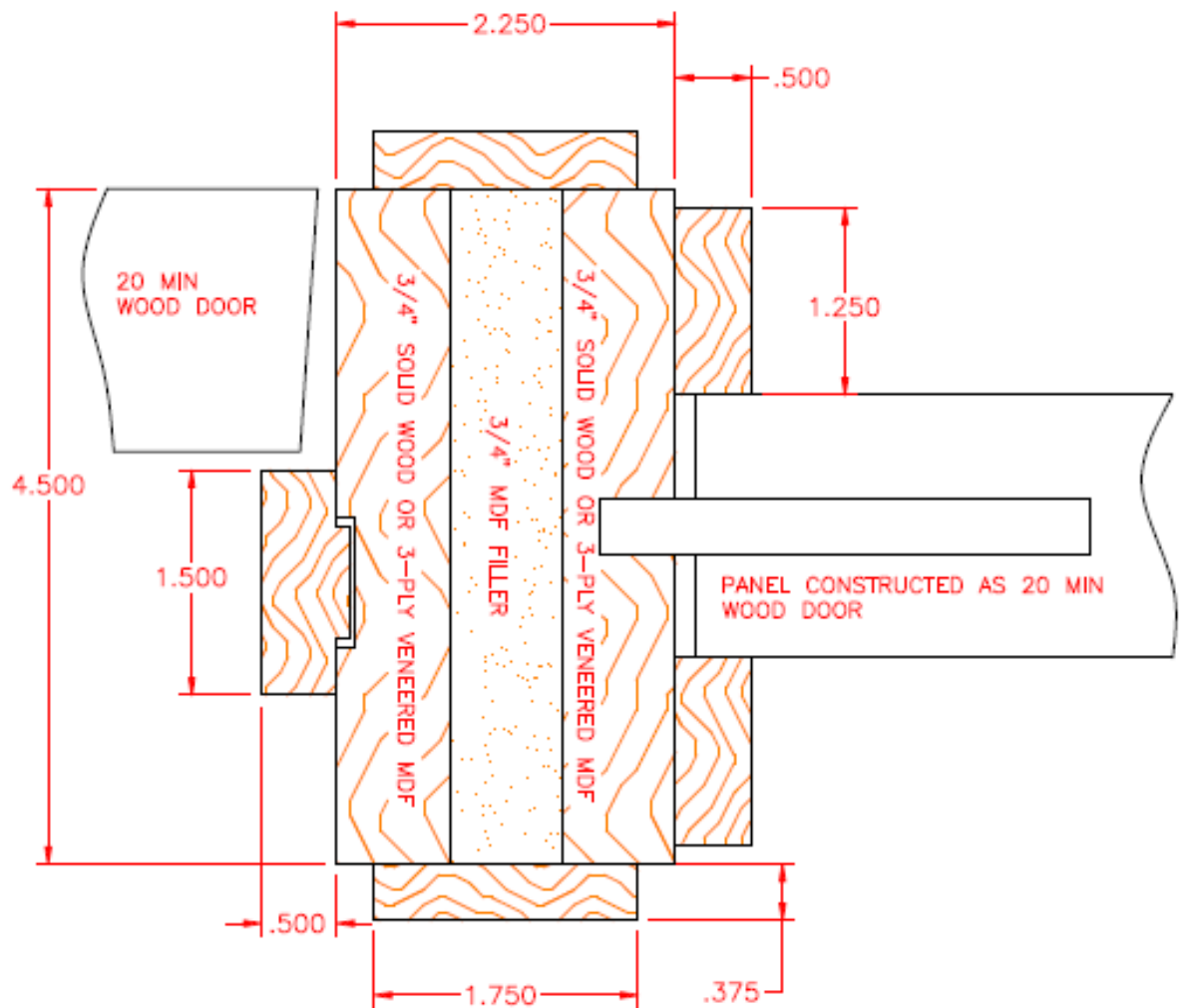


Eggers Industries

No. 920-04-11

WHI 20 MINUTE FIREGUARD COMMON MEMBER

- ALL DIMENSIONS SHOWN ARE MINIMUMS
- SINGLE OR DOUBLE RABBET DOOR FRAME OPTIONAL
- STANLEY SPRING BOLT #1697 SHOWN



WHI 20-Minute Fireguard Frame & Sidelite or Borrowed Lite Installation Instructions

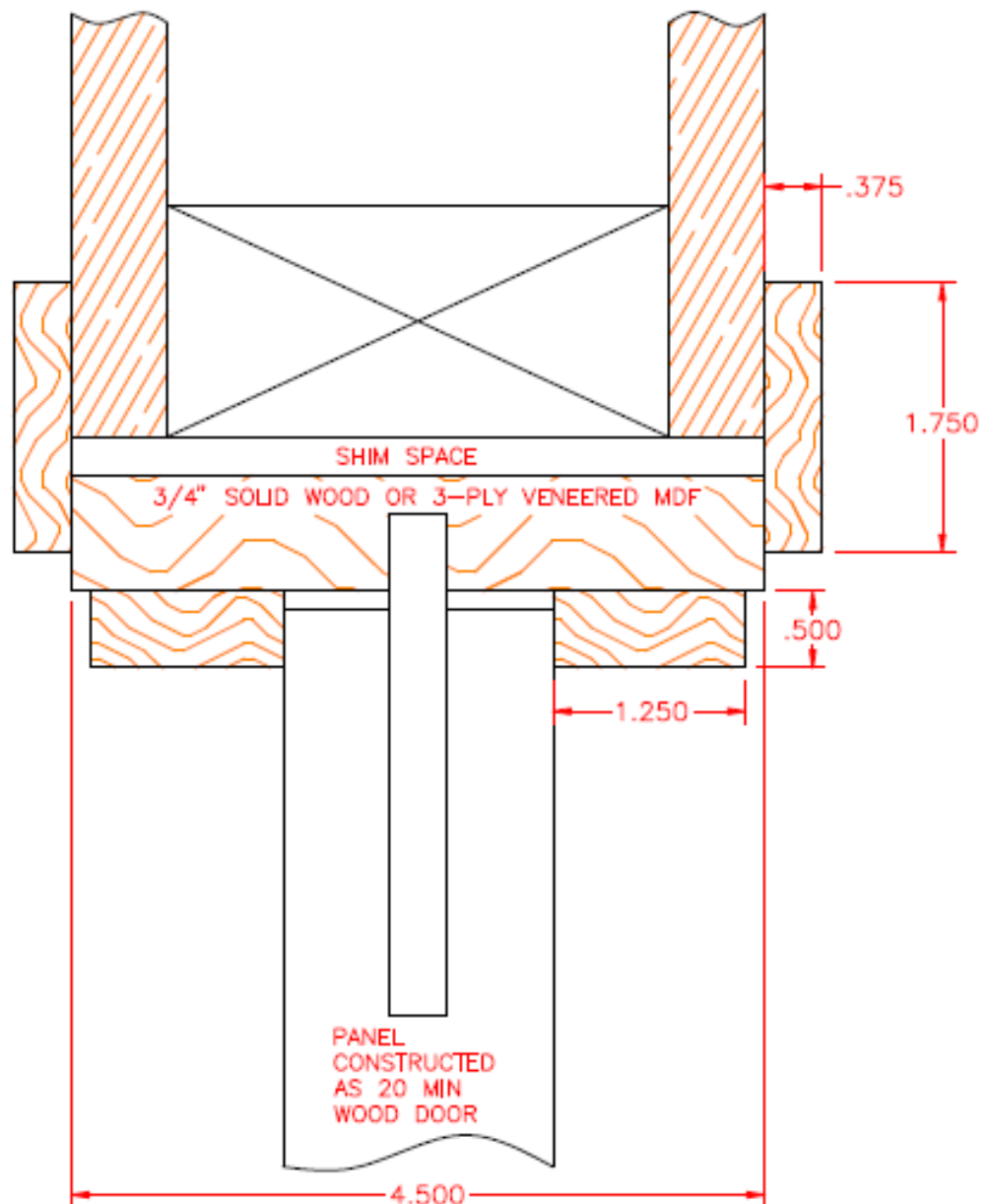


Eggers Industries

No. 920-04-11

WHI 20 MINUTE FIREGUARD SIDELITE/BORROWED LITE FRAME

- ALL DIMENSIONS SHOWN ARE MINIMUMS
- 2" NOMINAL WOOD LINER REQUIRED FOR METAL STUD OR MASONRY
- STANLEY SPRING BOLT #1697 SHOWN



WHI 20-Minute Fireguard Frame & Sidelite or Borrowed Lite Installation Instructions

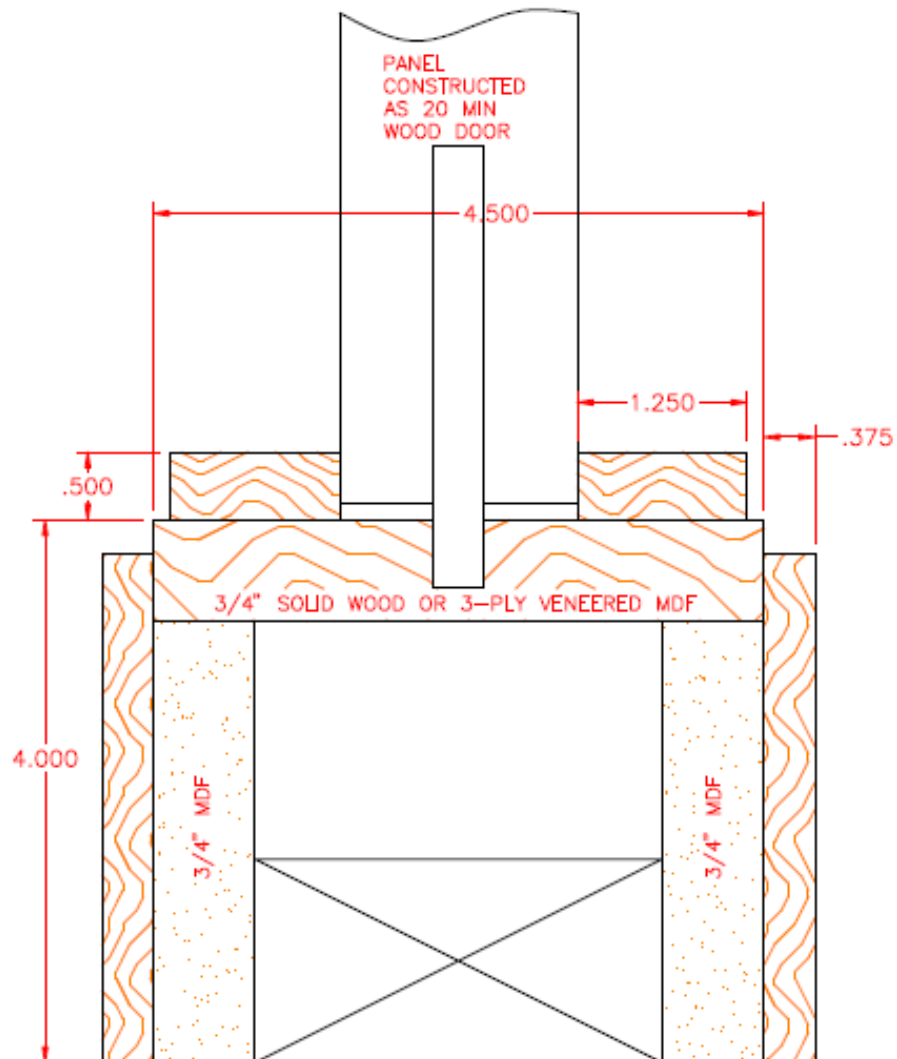


Eggers Industries

No. 920-04-11

WHI 20 MINUTE FIREGUARD SILL

- ALL DIMENSIONS SHOWN ARE MINIMUMS
- 2" NOMINAL WOOD BLOCKING REQUIRED
- STANLEY SPRING BOLT #1697 SHOWN



Eggers Industries

Stile & Rail Doors, Door Frames,
Plywood, Veneered Components

Flush Doors

Two Rivers Division
One Eggers Drive
Two Rivers, WI 54241
Phone: 920.793.1351
Fax: 920.793.2958

Neenah Division
164 North Lake Street
Neenah, WI 54956
Phone: 920.722.6444
Fax: 920.722.0357

www.eggiersindustries.com

email: sales@eggiersindustries.com