

Full Lite Door Construction Comparison  
Information Bulletin 437

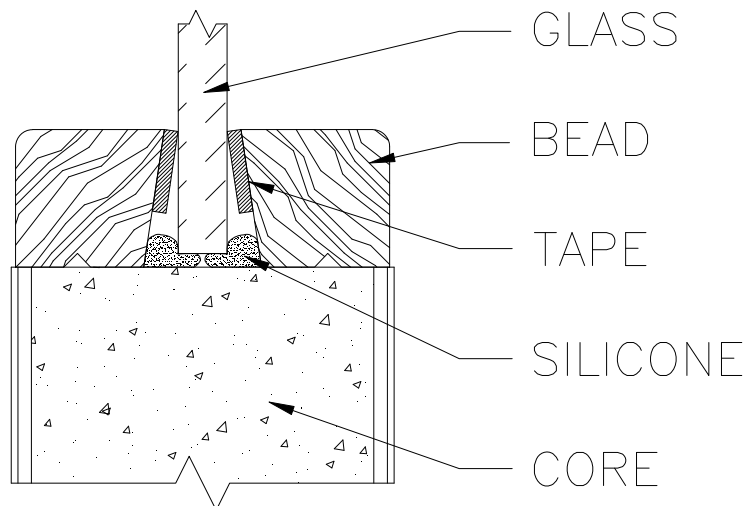


Date: March, 2009

Eggers Industries

Eggers now offers a particle core option for non-rated, full-lite applications. The lite sizes and dimensions are the same as those offered with our SCL and Stave core constructions. This door will be constructed normally and does not require a liner around the cutout. Standard particle core lite-to-lock dimensions and special installation apply. The chart below compares the full-lite options.

	Particle Core	SCL and SLC Core
<b>Lite-to-Lock</b>	3-5/16"	1-1/2"
<b>Lite-to-Lite</b>	5"	3"
<b>Max Width</b>	36"	36"
<b>Max Length</b>	87-9/16"	87-9/16"
<b>Max Area</b>	2868 sq in	2868 sq in
<b>Fire Rating</b>	Non-Rated	20-Minute
<b>Installation</b>	Beads are installed using standard glazing tape and nails. In addition a small bead of 100% silicone is required as shown in the drawing below.	Beads are installed using standard glazing tape and nails.



Stile & Rail Doors, Door Frames,  
Plywood, Veneered Components

**Two Rivers Division**  
One Eggers Drive  
Two Rivers, WI 54241  
Phone: 920.793.1351  
Fax: 920.793.2958

www.eggiersindustries.com

Flush Doors

**Neenah Division**  
164 North Lake Street  
Neenah, WI 54956  
Phone: 920.722.6444  
Fax: 920.722.0357

email: sales@eggiersindustries.com