



General Information

If a shelf required, we will need to know

- Will the shelf be top-mounted or side-mounted?
- If it is a single shelf, which side of the door will it be on?
- If the door is unfinished, is the shelf to be installed or shipped loose? Will it be a Standard Eggers shelf at 1-1/8" thickness or a custom shelf? If custom, what will the thickness be?

Standard shelf information

- If the door is pre-finished the shelf must be factory installed.
- If a shelf is going to be mounted on the top of the bottom leaf the factory will cut the door down to accept the shelf, whether shelf is shipped loose or installed.
- If there is no shelf or the shelf is side-mounted, the top rail of the bottom leaf will be veneered as standard procedure.
- If door has a plastic laminate shelf the brackets will be plastic laminated.

20-Min Applications

UL approval is for both positive and neutral pressure applications up to 4-0 x 10-0.

Warnock Hersey approval is for neutral pressure applications up to 4-0 x 8-0.

Both approvals allow the Dutch door to be provided with a single shelf or without a shelf.

Intumescent seals are required for all applications (Cat A, Cat B, Neutral) not using a metal astragal. These seals will be installed in the bottom rail of the top leaf during manufacturing.

All labeled openings require doors to self-close and self-latch latching devices. With a labeled Dutch door there are several options to accomplish this and maintain the label validity.

Dutch Doors
Information Bulletin 317



Date: June, 2011

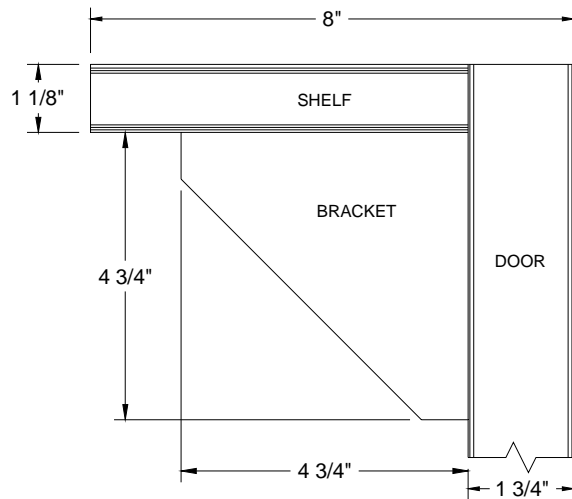
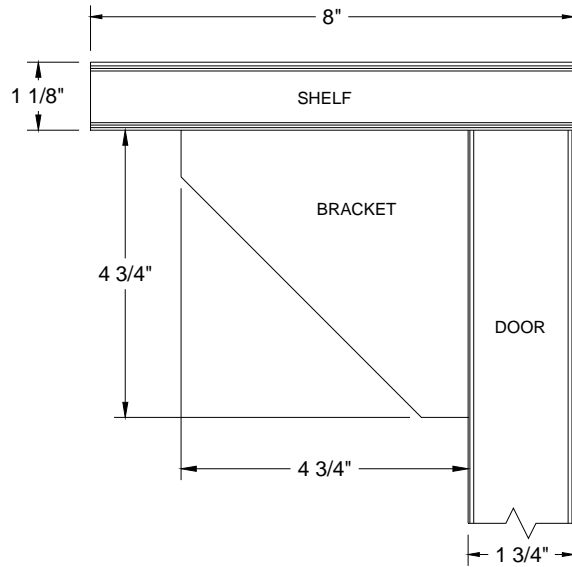
Eggers Industries

- **Self-closing:** Both leaves may include independent closers; a closer may be used on one leaf with an approved astragal between the leaves serving to close the second leaf; Spring hinges may be used to close one or both leaves (in accordance with the hinge listing or leaf sizes per NFPA-80).
- **Latching:** Both leaves may include independent latches; one leaf may latch into the other leaf; where an astragal is used the latch is only required in one leaf where the latched leaf prevents the second leaf from opening.

Dutch doors are constructed as two dependant leaves; they are not approved as stand alone items. The doors are constructed, and the identification marks applied, to show they belong in the same opening. Eggers will apply the fire label to the top leaf; the bottom leaf depends on its association and common mark number for its fire rating.



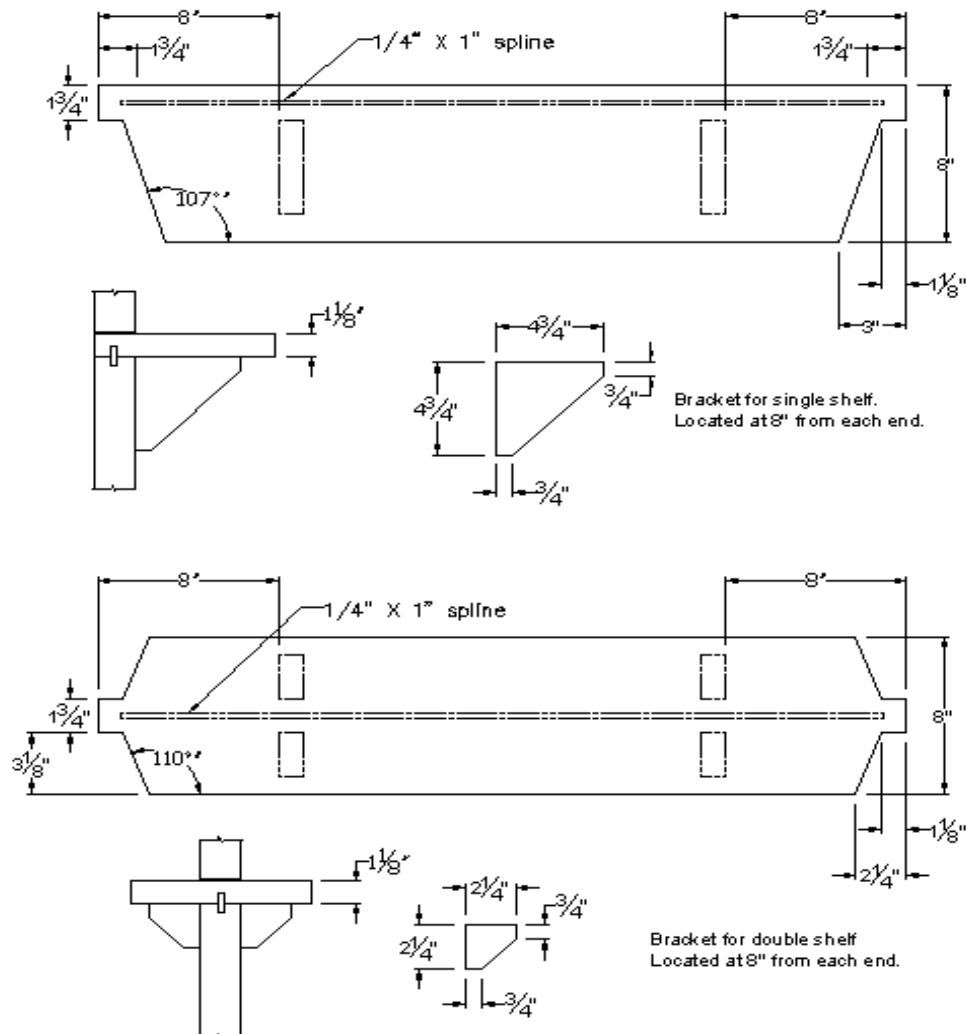
**STANDARD DUTCH DOOR
SHELF & BRACKET ONE SIDE
TOP MOUNTED VERSUS SIDE MOUNTED**





Standard Dutch Door Shelf

Shelf brackets furnished as shown: Shelves are 1 1/8" thick
2 per single shelf, 4 per double shelf. Shelves and brackets packed
together but not installed unless requested.



**Stile & Rail Doors, Door Frames,
Plywood, Veneered Components**

Two Rivers Division
One Eggers Drive
Two Rivers, WI 54241
Phone: 920.793.1351
Fax: 920.793.2958

www.eggiersindustries.com

Flush Doors

Neenah Division
164 North Lake Street
Neenah, WI 54956
Phone: 920.722.6444
Fax: 920.722.0357

email: sales@eggiersindustries.com