

## 5-Ply Flush Doors

Optional Metal Edge Protectors on Labeled Doors\*



Eggers Industries

No. 398-10-07

This bulletin applies to applications where the metal protectors are optional, serving to prevent impact damage to the door edges, and are not required as part of the fire approval.

Eggers has approval with U.L. to label 20-90 minute doors where the edges are protected with metal edge guards, metal edges and/or metal edge astragal sets. This approval applies to both full and partial height edge protectors. The edge protectors may be mortised flush into the stile edge. Because they are not required to pass fire endurance, the edge protectors may be "U", "T" or "L" shaped. Their means of attachment must be into the door edge, not into the door face. Any manufacturer may be specified as long as the edges are made of steel, or have been listed for use on wood/composite fire doors.

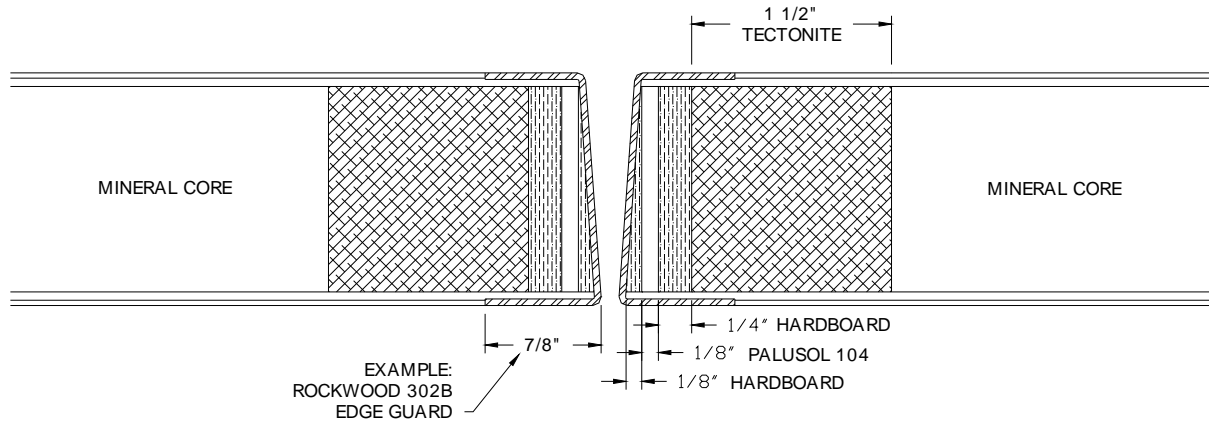
No category G edge seal is required for neutral pressure applications. When used with Category B positive pressure meeting edge applications, a listed Category G edge seal must be applied to the full length of the meeting edges after the edge protectors are attached to the doors. When used with Category A meeting edge applications no surface applied intumescent is required on the edge protector/meeting edge.

For U.L. labeled doors rated 20-60 minutes the edges may also be mortised into one or both faces. When mortised into the face of 45 or 60 minute doors a 1-1/2" Tectonite full height blocking is required on the latch stile.

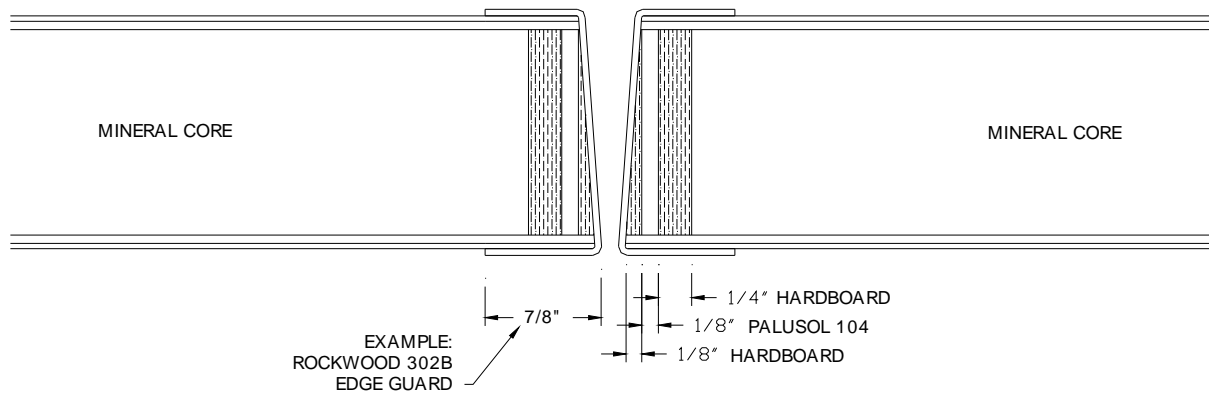
Eggers requires a physical sample of the edge if face mortising is required. Details are shown below using Rockwood edges as an example

\*Note: This approval information does not apply to doors having CVR hardware.

MORTISED EDGEGUARDS - U.L.  
 60-MINUTE MAXIMUM  
 CAN BE MORTISED FLUSH IN ONE FACE OR TWO



20 THRU 90-MINUTE U.L. EDGE GUARD SURFACE APPLIED ON  
 FACE CAN BE MORTISED INTO THE EDGE



Stile & Rail Doors, Door Frames,  
 Plywood, Veneered Components

**Two Rivers Division**  
 One Eggers Drive  
 Two Rivers, WI 54241  
 Phone: 920.793.1351  
 Fax: 920.793.2958

www.eggersindustries.com

Flush Doors

**Neenah Division**  
 164 North Lake Street  
 Neenah, WI 54956  
 Phone: 920.722.6444  
 Fax: 920.722.0357

email: sales@eggersindustries.com