

Surface or Concealed Vertical Rods
Information Bulletin 322



Eggers Industries

Date: February, 2012

Eggers has approval, with U.L. and WHI, to manufacture doors having concealed vertical rods, surface vertical rods, and one leaf active without using the 5" metal edgesets or regular edgesets.

- 8-0 x 8-0 maximum size
- No metal meeting edges are required, only available with Category "A" meeting edges.
- This approval is for all listed and approved exit devices, we will not do Monarch or American.
- This approval is for flush and stile & rail doors.
- See attached table for appropriate blocking for hardware.
- This approval applies to all face options, (plastic laminate UL only except high gloss)



Eggers Industries

**Stile & Rail Doors, Door Frames,
Plywood, Veneered Components**

Two Rivers Division
One Eggers Drive
Two Rivers, WI 54241
Phone: 920.793.1351
Fax: 920.793.2958

www.eggersondustries.com

Flush Doors

Neenah Division
164 North Lake Street
Neenah, WI 54956
Phone: 920.722.6444
Fax: 920.722.0357

email: sales@eggersondustries.com

Surface or Concealed Vertical Rods
Information Bulletin 322



Eggers Industries

Date: February, 2012

UL – No Metal Edge Set Blocking and Auxiliary Fire Latch Requirements

Label	Hardware	Swings	Blocking	Fire Latches
45, 60, 90	Surface Top & Bottom Vertical Rods	Standard	#4	None
45, 60, 90	Surface Top & Bottom Vertical Rods	Double Egress	#1	#2
45, 60, 90	Rim Exit Device	Standard	#6	None
45, 60, 90	Mortise Exit Device	Standard	#6	None
45, 60, 90	Concealed Top & Bottom Vertical Rods	Double Egress	N/A	N/A
45, 60, 90	Concealed Top & Bottom Vertical Rods	Standard	#2	None
45, 60, 90	Surface Vertical Rod - LBR	Standard	#5	#3
45, 60, 90	Sargent PP/PR SVR - LBR	Standard	#5	#4
45, 60, 90	Surface Vertical Rod - LBR	Double Egress	#1	#3
45, 60, 90	Sargent PP/PR SVR - LBR	Double Egress	#1	#5
45, 60, 90	Concealed Vertical Rod – LBR **	Standard	#2	#3
45, 60, 90	Concealed Vertical Rod – LBR **	Double Egress	#1	#1
45, 60, 90	One Leaf Active – Bolts up to 6”	Standard	#3	None
45, 60, 90	One Leaf Active – Bolts Over 6” up to 12”	Standard	#7	None
45, 60, 90	One Leaf Active – Bolts Over 12”	Standard	#2	None
45, 60, 90	One Leaf Active	Double Egress	N/A	N/A



**Stile & Rail Doors, Door Frames,
Plywood, Veneered Components**

Two Rivers Division
One Eggers Drive
Two Rivers, WI 54241
Phone: 920.793.1351
Fax: 920.793.2958

www.eggiersindustries.com

Flush Doors

Neenah Division
164 North Lake Street
Neenah, WI 54956
Phone: 920.722.6444
Fax: 920.722.0357

email: sales@eggiersindustries.com

Surface or Concealed Vertical Rods
Information Bulletin 322



Date: February, 2012

Eggers Industries

WHI – 8’ TO 9’ Tall - No Metal Edge Set Blocking and Auxiliary Fire Latch Requirements

Label	Hardware	Swings	Blocking	Fire Latches
45*, 60,90	Surface Top & Bottom Vertical Rods Negative Pressure and Category “B” Positive Pressure.	Standard	#1	None
45*, 60,90	Surface Vertical Rod - LBR Negative Pressure and Category “B” Positive Pressure.	Standard	#1	#4
45*, 60,90	Surface Top & Bottom Vertical Rods Negative Pressure and Category “A” Positive Pressure.	Standard	#1 Plus Intumescent	None
45*, 60,90	Surface Vertical Rod - LBR Negative Pressure and Category “A” Positive Pressure.	Standard	#1 Plus Intumescent	#4
45*, 60	3-Point Latching; Negative Pressure and Category “A” Positive Pressure.	Standard	#1 Plus Intumescent	None

* Including 45-minute Full Lite Construction.

** No Metal Edge Construction Required.



**Stile & Rail Doors, Door Frames,
Plywood, Veneered Components**

Two Rivers Division
One Eggers Drive
Two Rivers, WI 54241
Phone: 920.793.1351
Fax: 920.793.2958

www.eggiersindustries.com

Flush Doors

Neenah Division
164 North Lake Street
Neenah, WI 54956
Phone: 920.722.6444
Fax: 920.722.0357

email: sales@eggiersindustries.com

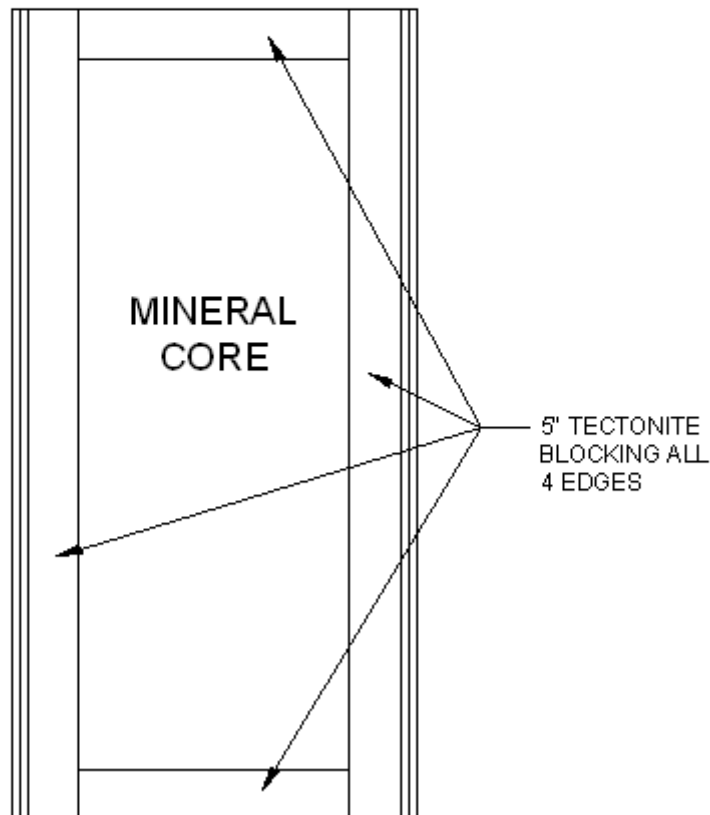


BLOCKING # 1

UL: DOUBLE EGRESS

WHI: SURFACE VERTICAL RODS - STANDARD SWING

EDGES NEED TO BE VENEERED WHEN CVR'S ARE USED



**Stile & Rail Doors, Door Frames,
Plywood, Veneered Components**

Two Rivers Division
One Eggers Drive
Two Rivers, WI 54241
Phone: 920.793.1351
Fax: 920.793.2958

www.eggersondustries.com

Flush Doors

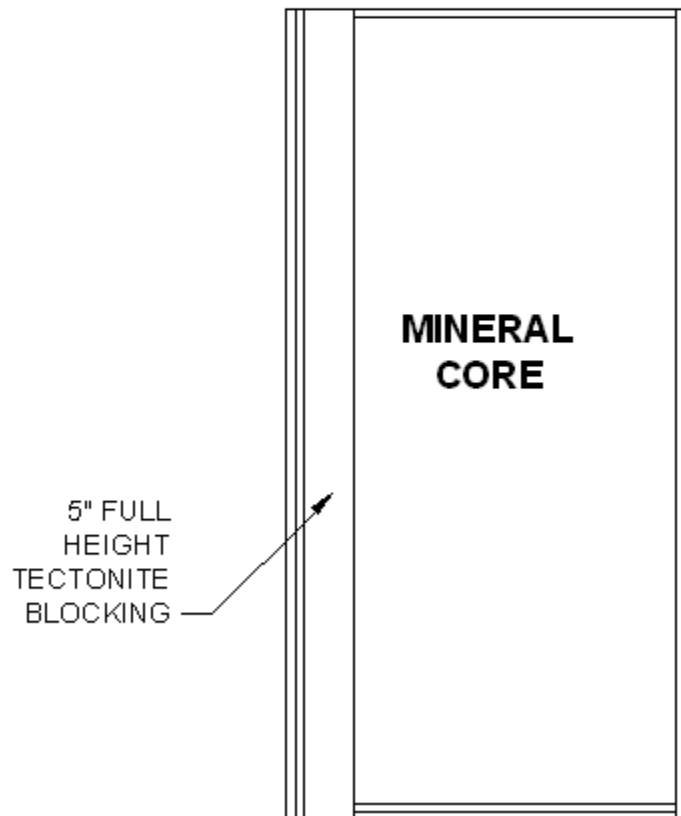
Neenah Division
164 North Lake Street
Neenah, WI 54956
Phone: 920.722.6444
Fax: 920.722.0357

email: sales@eggersondustries.com



BLOCKING # 2

- STANDARD SWING
- CONCEALED VERTICAL ROD-TOP & BOTTOM OR LBR
- ONE LEAF ACTIVE - WITH EXTENSION BOLTS OR SCREW ATTACHED SURFACE BOLTS OVER 12" LONG
- EDGES NEED TO BE VENEERED



Eggers Industries

Stile & Rail Doors, Door Frames, Plywood, Veneered Components

Two Rivers Division
One Eggers Drive
Two Rivers, WI 54241
Phone: 920.793.1351
Fax: 920.793.2958

www.eggersondustries.com

Flush Doors

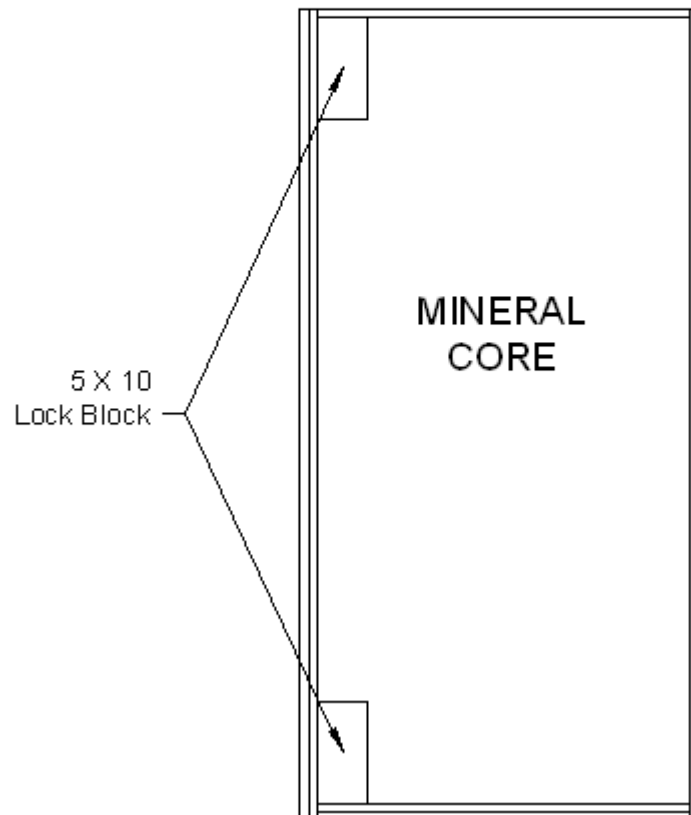
Neenah Division
164 North Lake Street
Neenah, WI 54956
Phone: 920.722.6444
Fax: 920.722.0357

email: sales@eggersondustries.com



BLOCKING # 3

Extension flushbolts up to 6" long and screw attached surface
flushbolts up to 6" long
No Metal Meeting Edges
Edges Need To Be Veneered



**Stile & Rail Doors, Door Frames,
Plywood, Veneered Components**

Two Rivers Division
One Eggers Drive
Two Rivers, WI 54241
Phone: 920.793.1351
Fax: 920.793.2958

www.eggiersindustries.com

Flush Doors

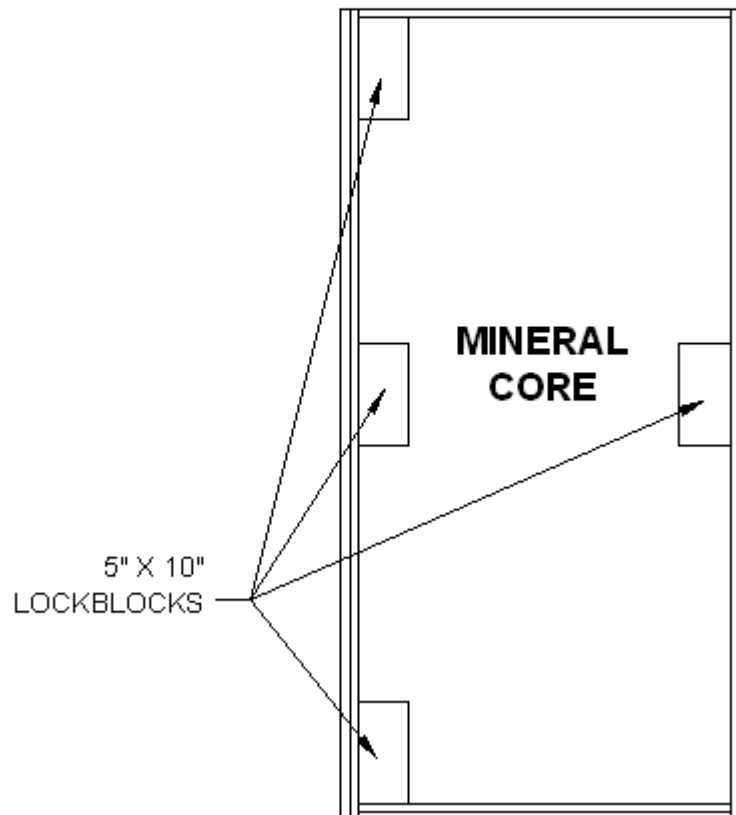
Neenah Division
164 North Lake Street
Neenah, WI 54956
Phone: 920.722.6444
Fax: 920.722.0357

email: sales@eggiersindustries.com



BLOCKING # 4

- NO METAL EDGES
- SURFACE TOP & BOTTOM VERTICAL ROD
- STANDARD SWING
- EDGES NEED TO BE VENEERED



**Stile & Rail Doors, Door Frames,
Plywood, Veneered Components**

Two Rivers Division
One Eggers Drive
Two Rivers, WI 54241
Phone: 920.793.1351
Fax: 920.793.2958

www.eggiersindustries.com

Flush Doors

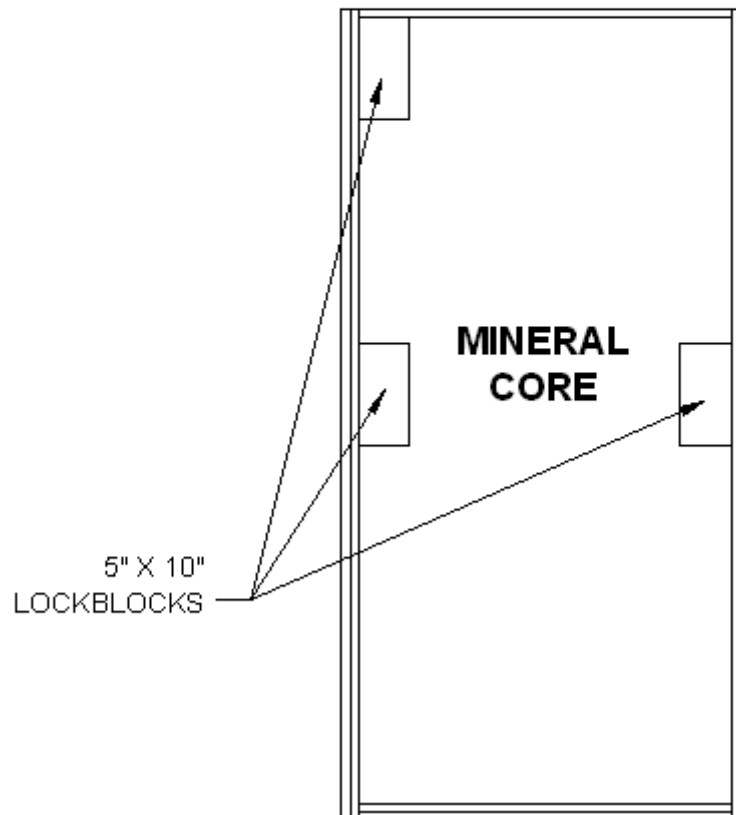
Neenah Division
164 North Lake Street
Neenah, WI 54956
Phone: 920.722.6444
Fax: 920.722.0357

email: sales@eggiersindustries.com



BLOCKING # 5

- SURFACE VERTICAL ROD LBR (including Sargent PP/PR)
- STANDARD SWING
- EDGES NEED TO BE VENEERED



**Stile & Rail Doors, Door Frames,
Plywood, Veneered Components**

Two Rivers Division
One Eggers Drive
Two Rivers, WI 54241
Phone: 920.793.1351
Fax: 920.793.2958

www.eggersondustries.com

Flush Doors

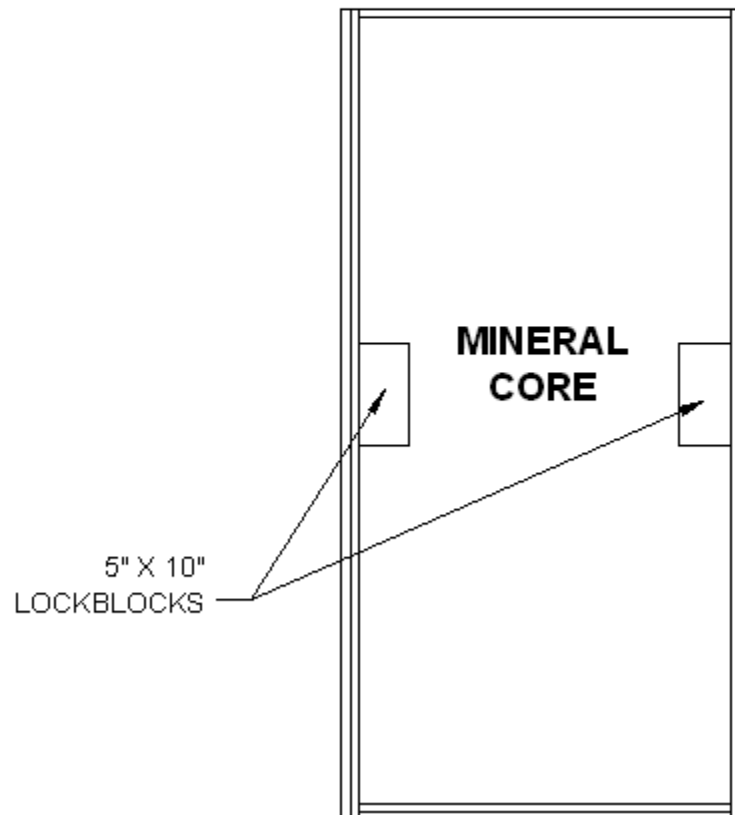
Neenah Division
164 North Lake Street
Neenah, WI 54956
Phone: 920.722.6444
Fax: 920.722.0357

email: sales@eggersondustries.com



BLOCKING # 6

- RIM & MORTISE EXIT DEVICES
- STANDARD SWING
- VENEERED EDGES ARE ONLY REQUIRED WHEN DOORS ARE CONSTRUCTED AS "CATEGORY A" PAIRS



**Stile & Rail Doors, Door Frames,
Plywood, Veneered Components**

Two Rivers Division
One Eggers Drive
Two Rivers, WI 54241
Phone: 920.793.1351
Fax: 920.793.2958

www.eggersondustries.com

Flush Doors

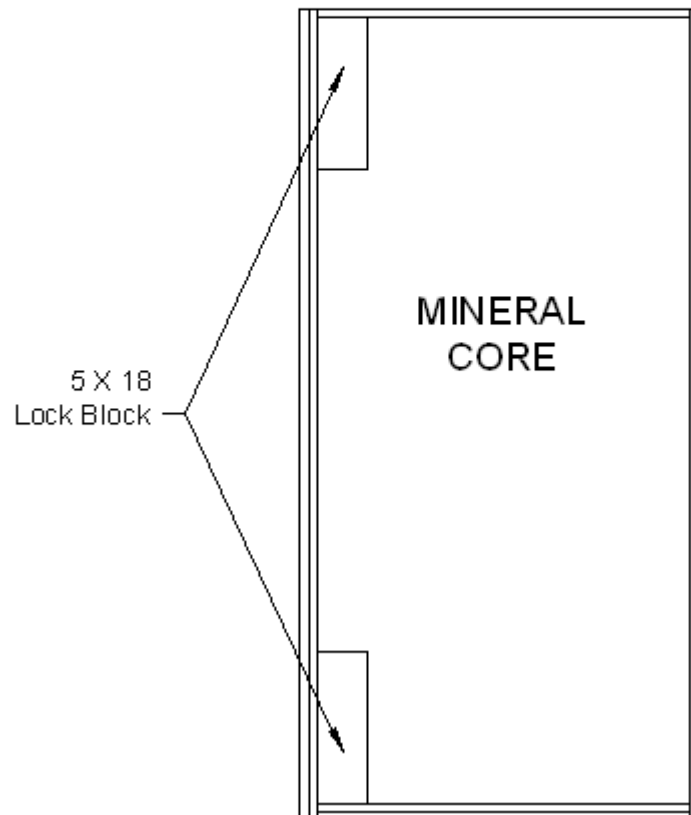
Neenah Division
164 North Lake Street
Neenah, WI 54956
Phone: 920.722.6444
Fax: 920.722.0357

email: sales@eggersondustries.com



BLOCKING # 7

- 12" Extension Type Flushbolts or screw attached surface flushbolts up to 12" long
- No Metal Meeting Edges
- Edges Need To Be Veneered



**Stile & Rail Doors, Door Frames,
Plywood, Veneered Components**

Two Rivers Division
One Eggers Drive
Two Rivers, WI 54241
Phone: 920.793.1351
Fax: 920.793.2958

www.eggiersindustries.com

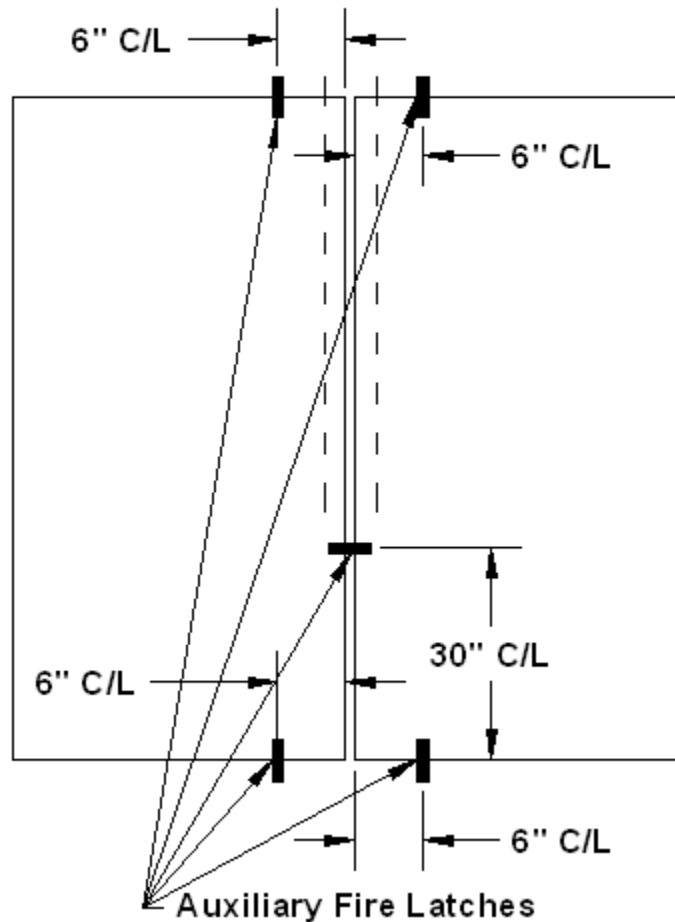
Flush Doors

Neenah Division
164 North Lake Street
Neenah, WI 54956
Phone: 920.722.6444
Fax: 920.722.0357

email: sales@eggiersindustries.com



AUXILIARY FIRE LATCH #1



Stile & Rail Doors, Door Frames,
Plywood, Veneered Components

Two Rivers Division
One Eggers Drive
Two Rivers, WI 54241
Phone: 920.793.1351
Fax: 920.793.2958

www.eggersindustries.com

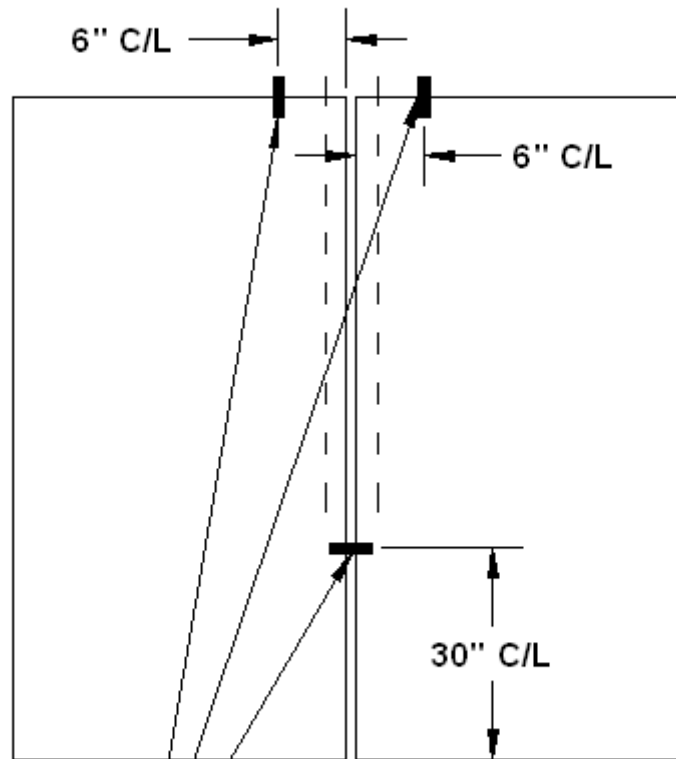
Flush Doors

Neenah Division
164 North Lake Street
Neenah, WI 54956
Phone: 920.722.6444
Fax: 920.722.0357

email: sales@eggersindustries.com



AUXILIARY FIRE LATCH #2



Auxiliary Fire Latches



Stile & Rail Doors, Door Frames,
Plywood, Veneered Components

Two Rivers Division
One Eggers Drive
Two Rivers, WI 54241
Phone: 920.793.1351
Fax: 920.793.2958

www.eggindustries.com

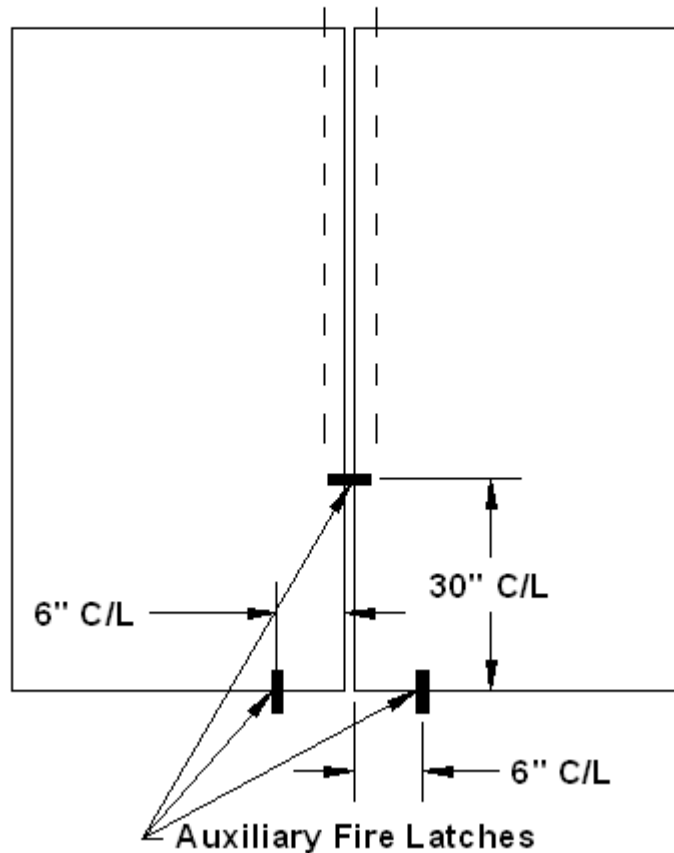
Flush Doors

Neenah Division
164 North Lake Street
Neenah, WI 54956
Phone: 920.722.6444
Fax: 920.722.0357

email: sales@eggindustries.com



AUXILIARY FIRE LATCH #3



Stile & Rail Doors, Door Frames,
Plywood, Veneered Components

Two Rivers Division
One Eggers Drive
Two Rivers, WI 54241
Phone: 920.793.1351
Fax: 920.793.2958

www.eggindustries.com

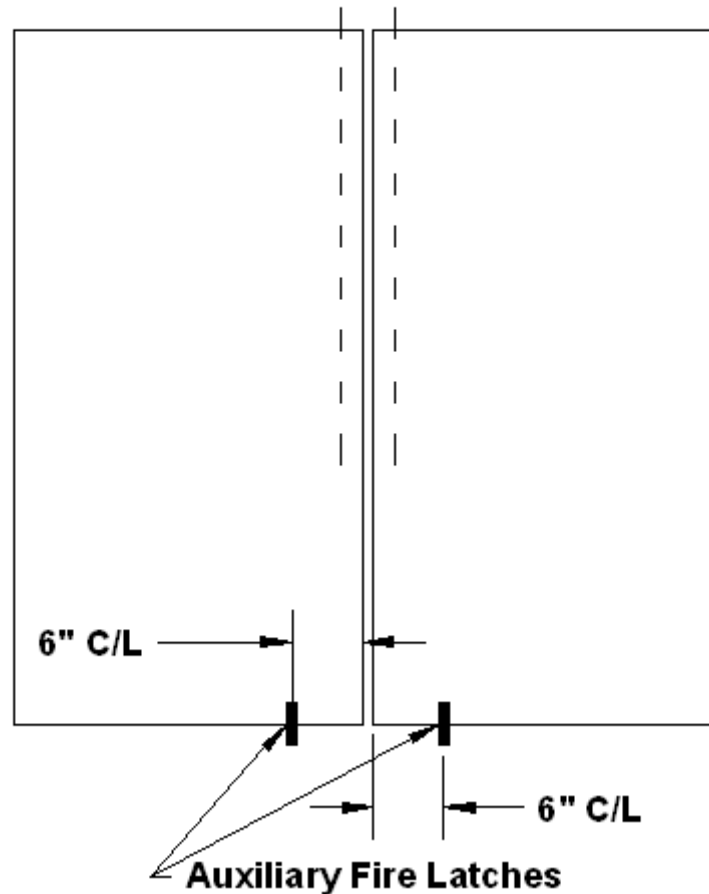
Flush Doors

Neenah Division
164 North Lake Street
Neenah, WI 54956
Phone: 920.722.6444
Fax: 920.722.0357

email: sales@eggindustries.com



AUXILIARY FIRE LATCH #4



Eggers Industries

Stile & Rail Doors, Door Frames,
Plywood, Veneered Components

Two Rivers Division
One Eggers Drive
Two Rivers, WI 54241
Phone: 920.793.1351
Fax: 920.793.2958

www.eggiersindustries.com

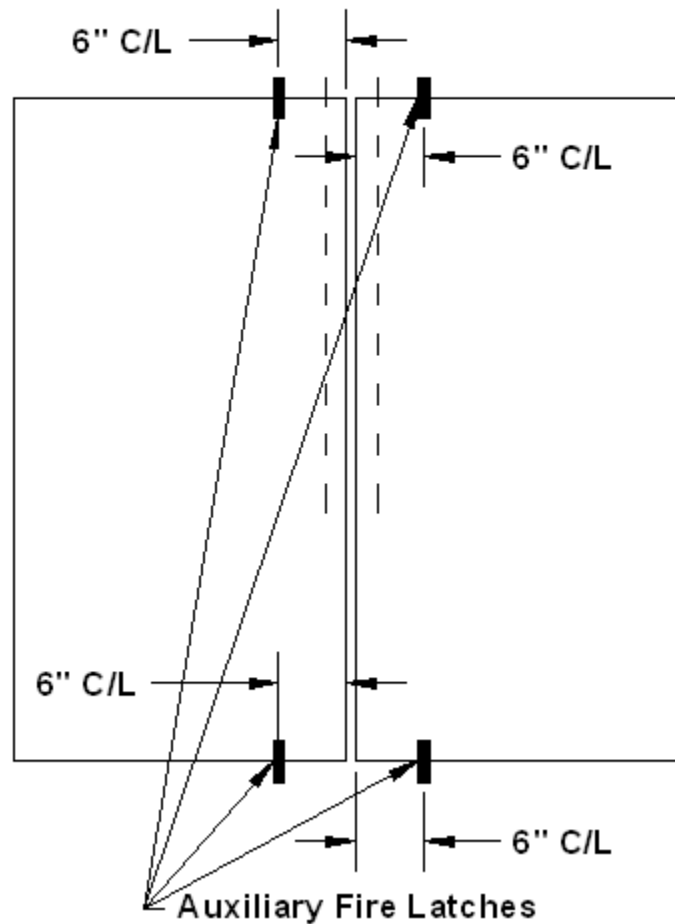
Flush Doors

Neenah Division
164 North Lake Street
Neenah, WI 54956
Phone: 920.722.6444
Fax: 920.722.0357

email: sales@eggiersindustries.com



AUXILIARY FIRE LATCH #5



Stile & Rail Doors, Door Frames,
Plywood, Veneered Components

Two Rivers Division
One Eggers Drive
Two Rivers, WI 54241
Phone: 920.793.1351
Fax: 920.793.2958

www.eggiersindustries.com

Flush Doors

Neenah Division
164 North Lake Street
Neenah, WI 54956
Phone: 920.722.6444
Fax: 920.722.0357

email: sales@eggiersindustries.com

Surface or Concealed Vertical Rods
Information Bulletin 322



Eggers Industries

Date: February, 2012



**Stile & Rail Doors, Door Frames,
Plywood, Veneered Components**

Two Rivers Division
One Eggers Drive
Two Rivers, WI 54241
Phone: 920.793.1351
Fax: 920.793.2958

www.eggersindustries.com

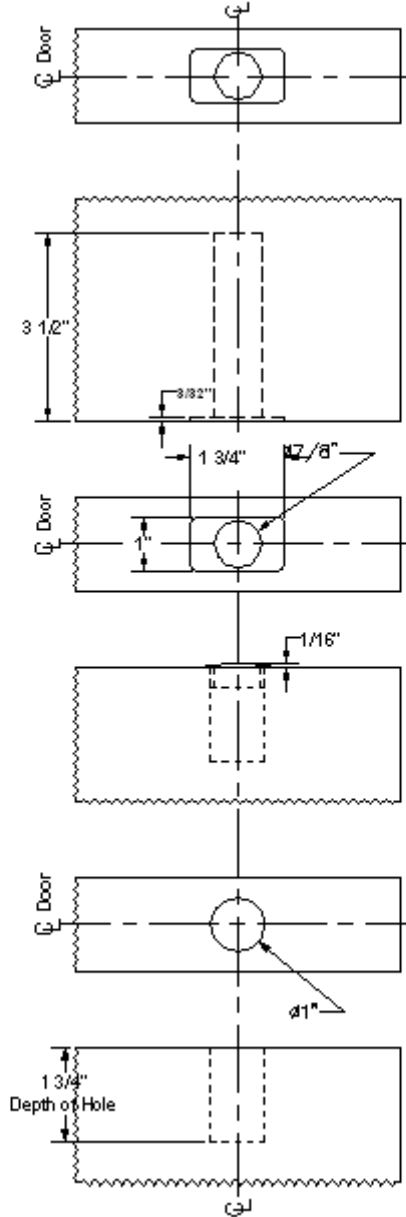
Flush Doors

Neenah Division
164 North Lake Street
Neenah, WI 54956
Phone: 920.722.6444
Fax: 920.722.0357

email: sales@eggersindustries.com



AUXILIARY FIRE LATCH Cutout Dimensions



LATCH
STRIKE

* LATCH PREP IS IN DOOR. PREP FOR STRIKE IN FRAME OR FLOOR.



Stile & Rail Doors, Door Frames,
Plywood, Veneered Components

Two Rivers Division
One Eggers Drive
Two Rivers, WI 54241
Phone: 920.793.1351
Fax: 920.793.2958

www.eggiersindustries.com

Flush Doors

Neenah Division
164 North Lake Street
Neenah, WI 54956
Phone: 920.722.6444
Fax: 920.722.0357

email: sales@eggiersindustries.com



Minimum Stile Dimensions for Doors With Lites and Concealed Vertical Rods

1. Non-Rated Full-Lite Doors:
 - a. We can manufacture and warranty full lite doors machined for concealed vertical rods and lites. Doors must be constructed of SCL or Stave core and will include 5" (SCL) pre-channeled blocking, full height, on meeting edges.
 - b. If the hardware is unknown at time of quoting use a minimum lock stile dimension of is 5-5/8". If hardware and lite location are known the minimum dimensions can be reduced to those shown on the tables below.

2. 20 Minute Full-Lite Doors:
 - a. We can manufacture, machine, label and warranty full lite doors (SCL or Stave) with concealed vertical rods and lites. 5" (Tectonite) pre-channeled blocking, full height, on meeting edges is required. We will construct these doors using concealed intumescent edge strips regardless of whether the doors are positive pressure or neutral pressure.
 - b. If the hardware is unknown at time of quoting use a minimum lock stile dimension of is 5-5/8". If hardware and lite location are known the minimum dimensions can be reduced to those shown on the tables below.

3. 45 Minute Full-Lite Doors:
 - a. We can manufacture, machine, label and warranty 45-minute full lite doors with specific concealed vertical rods (Sargent and Adams Rite only) and lites. 5" (Tectonite) pre-channeled blocking, full height, on meeting edges is required. We will construct these doors using concealed intumescent edge strips regardless of whether the doors are positive pressure or neutral pressure.
 - b. If the hardware is unknown at time of quoting use a minimum lock stile dimension of is 7-1/8". If hardware and lite location are known the minimum dimensions can be reduced to those shown on the tables below.

4. Standard (20-Min or Non-Rated) Particle Core Doors:
 - a. We can manufacture, machine, label and warranty Particle core doors with concealed vertical rods and lites. 5" pre-channeled blocking, full height, on meeting edges is required. We will construct rated doors using concealed



**Stile & Rail Doors, Door Frames,
Plywood, Veneered Components**

Two Rivers Division
One Eggers Drive
Two Rivers, WI 54241
Phone: 920.793.1351
Fax: 920.793.2958

www.eggiersindustries.com

Flush Doors

Neenah Division
164 North Lake Street
Neenah, WI 54956
Phone: 920.722.6444
Fax: 920.722.0357

email: sales@eggiersindustries.com

Surface or Concealed Vertical Rods

Information Bulletin 322



Eggers Industries

Date: February, 2012

intumescent edge strips regardless of whether the doors are positive pressure or neutral pressure.

- b. If the hardware is unknown at time of quoting use a minimum lock stile dimension of is 7-7/16". If hardware and lite location are known the minimum dimensions can be reduced to those shown on the tables below.

5. 45-90 Minute Standard Mineral Core Doors:

- a. We can manufacture, machine, label and warranty 45-90 minute doors with concealed vertical rods and lites. 5" (Tectonite) pre-channeled blocking, full height, on meeting edges is required. We will construct these doors using concealed intumescent edge strips regardless of whether the doors are positive pressure or neutral pressure.
- b. If the hardware is unknown at time of quoting use a minimum lock stile dimension of is 9-5/8". If hardware and lite location are known the minimum dimensions can be reduced to those shown on the tables below.

Minimum stile based on mortise pocket	SCL & Stave	45-Min Full Lite	Particle Core	45-90 Minute Mineral
Von Duprin	5-1/8"	Not Available	6-15/16"	7-1/8"
Precision	5"	Not Available	6-13/16"	7"
Corbin & Yale	No Mortise – See table below			
Dorma F9100	No Mortise – See table below			
Sargent 8600	No Mortise – See table below			
Sargent PP/PR	5-5/8"	7-1/8"	7-7/16"	7-5/8"

Minimum stile based on CVR channel	SCL & Stave	45-Min Full Lite	Particle Core	45-90 Minute Mineral
Von Duprin	5"	Not Available	5-5/16"	5-1/2"
Precision	5"	Not Available	5-5/16"	5-1/2"
Corbin & Yale	5"	Not Available	5-7/8"	6-1/16"
Sargent 8600	5"	6-1/4"	6-9/16"	6-3/4"



Stile & Rail Doors, Door Frames, Plywood, Veneered Components

Two Rivers Division
 One Eggers Drive
 Two Rivers, WI 54241
 Phone: 920.793.1351
 Fax: 920.793.2958

www.eggiersindustries.com

Flush Doors

Neenah Division
 164 North Lake Street
 Neenah, WI 54956
 Phone: 920.722.6444
 Fax: 920.722.0357

email: sales@eggiersindustries.com

Surface or Concealed Vertical Rods Information Bulletin 322



Eggers Industries

Date: February, 2012

Sargent PP/PR	5"	6-1/4"	6-9/16"	6-3/4"
Dorma F9100	5"	6-1/2"	6-13/16"	7"

Acoustical Doors with CVR's

The use of CVR hardware will void the STC rating regardless of core type.

The only acoustic core door that will be constructed with and be machined for CVR hardware is the 6.5 pound per square foot design (cork core). The special construction of all other designs will not work with CVR stiles.

Cork core doors constructed with fire rated CVR stiles can be labeled for 20-minute applications.

Sound group 1 can also be prepped for CVR.

Only top rod only CVR's are permitted if the door will be machined for a door bottom.

Concealed Vertical Rods with Delayed Entry Switches

Von Duprin

Von Duprin CVRs with a CX prefix designate a delayed opening function. When the push pad is depressed, the door will not unlatch for 15 seconds. If the person continues to push on the door the latches may breakout.

Inform customers that these CVRs are not meant for wood doors.

This restriction does not apply to surface vertical rods, mortised exit or rim exit devices having the CX prefix.

Yale

Yale also has a delayed opening device. It is called Secure X. This device can not be used with CVRs.



**Stile & Rail Doors, Door Frames,
Plywood, Veneered Components**

Two Rivers Division
One Eggers Drive
Two Rivers, WI 54241
Phone: 920.793.1351
Fax: 920.793.2958

www.eggiersindustries.com

Flush Doors

Neenah Division
164 North Lake Street
Neenah, WI 54956
Phone: 920.722.6444
Fax: 920.722.0357

email: sales@eggiersindustries.com

Surface or Concealed Vertical Rods

Information Bulletin 322



Date: February, 2012

Eggers Industries

Top Caps for Concealed Vertical Rods

A 20 gauge Stainless Steel top cap will be required on all doors (1-3/4" & 2-1/4") machined for Von Duprin 33, 55, and 99 series top rod only concealed vertical rod hardware, rated and non-rated.

- The cap will have to be installed for the warranty to apply.
- Caps should be used on fire-rated as well as non-fire-rated doors, and Stile & Rail as well as Flush doors.
- In the Friedman system the cap is pulled into the order as an accessory, with the cost already built into the machining price for the door. Caps will ship loose in a bag, and will not be shipped on the doors
- Caps are friction fit on the door and can be pinched in to tighten the fit. Additionally, they can be permanently held in place using a 2-part epoxy.
- Caps may be installed on bottom latches of full rod CVR hardware, but would have to be permanently attached with epoxy.
- The caps are furnished in stainless steel only. They can be field painted.
- The cap designs are shown below.



Stile & Rail Doors, Door Frames, Plywood, Veneered Components

Two Rivers Division
One Eggers Drive
Two Rivers, WI 54241
Phone: 920.793.1351
Fax: 920.793.2958

www.eggersondustries.com

Flush Doors

Neenah Division
164 North Lake Street
Neenah, WI 54956
Phone: 920.722.6444
Fax: 920.722.0357

email: sales@eggersondustries.com

Surface or Concealed Vertical Rods

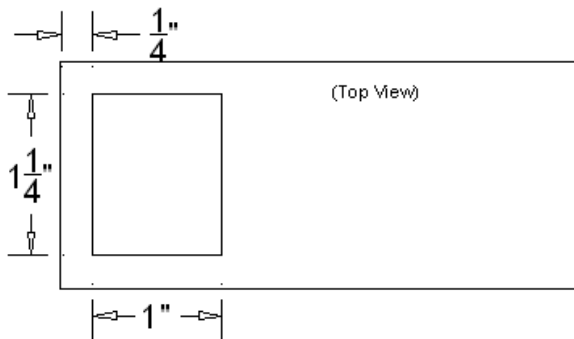
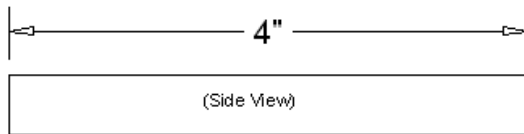
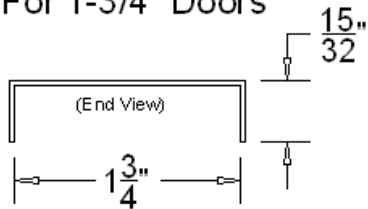
Information Bulletin 322



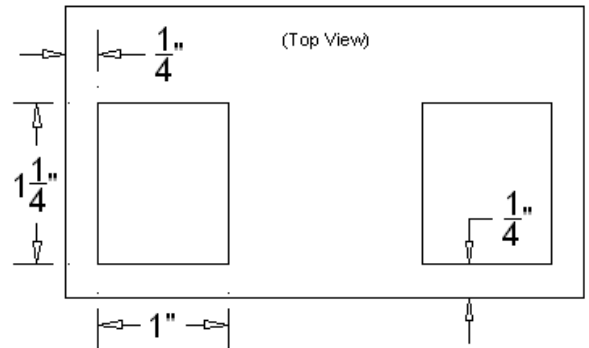
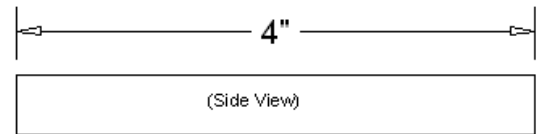
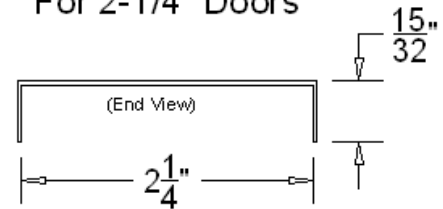
Eggers Industries

Date: February, 2012

For 1-3/4" Doors



For 2-1/4" Doors



**Stile & Rail Doors, Door Frames,
Plywood, Veneered Components**

Two Rivers Division
One Eggers Drive
Two Rivers, WI 54241
Phone: 920.793.1351
Fax: 920.793.2958

www.eggiersindustries.com

Flush Doors

Neenah Division
164 North Lake Street
Neenah, WI 54956
Phone: 920.722.6444
Fax: 920.722.0357

email: sales@eggiersindustries.com