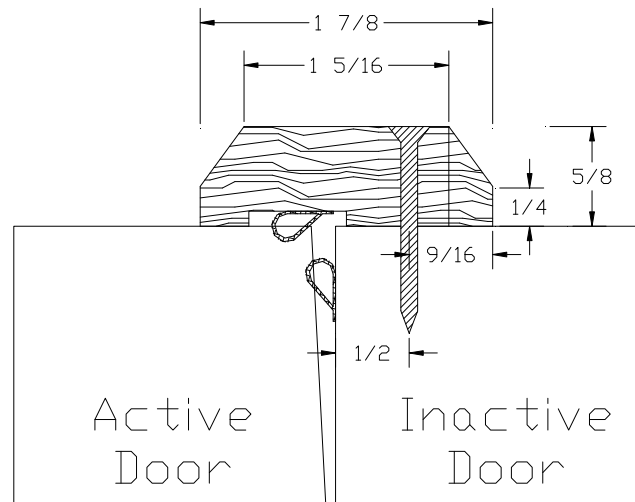




## INSTALLATION OF ACOUSTIC WOOD ASTRAGALS

Where acoustic doors are hung as active/inactive pairs the normal method of sealing the meeting edges is by use of an overlapping wood astragal and two rows of Pemko S-88. The astragal (shown below) is typically attached to the inactive leaf on the push side of the opening. Locate one screw in the top and bottom 6" of the astragal with no more 18" between additional screws. Use 1-1/2" long threaded to the head wood screws and pre-drill pilot holes. Apply the S-88 seals as shown below, making sure the bubble makes good contact with the opposing leaf.



NOTE: Gaskets shown in non-compressed position



Stile & Rail Doors, Door Frames,  
Plywood, Veneered Components

Two Rivers Division  
One Eggers Drive  
Two Rivers, WI 54241  
Phone: 920.793.1351  
Fax: 920.793.2958

[www.eggiersindustries.com](http://www.eggiersindustries.com)

Flush Doors

Neenah Division  
164 North Lake Street  
Neenah, WI 54956  
Phone: 920.722.6444  
Fax: 920.722.0357

email: [sales@eggiersindustries.com](mailto:sales@eggiersindustries.com)